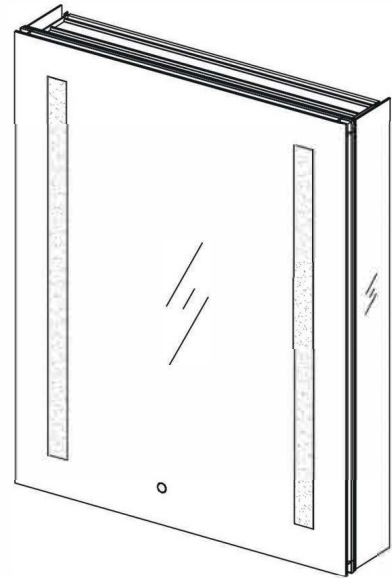


## Features

- .Dedicated defogger button is located along the frame on the inside of the cabinet.
- .Dimmer: Dim the light of your choosing by holding down the on button.
- .Defogger: have your mirror fog free with a touch of a button.
- .3X Magnifying Mirror: A built-in, magnifying mirror on the inside of the door, is vertically adjustable flip-out flat to accommodate users of varying heights.
- .Mirror: Quality polished edge 5mm silver mirrored glass.
- .Touch Screen Button: On/Off switch allows for one-touch control.
- .Installation: Recessed or Surface Mount.

Kelvin	6500
CRI	80+
Lumens*†	810
R9 Value*	50+
Watts (AC)	35
Lumens per Watt	90



## Construction

- Grey aluminum body and door frame
- 3 mirror design – rear of cabinet and both sides of door
- Concealed finger pull-door edge
- BLUM 110-degree self-closing hinges on left hand
- Adjustable shelving at 2 1/3" (60 mm) increments
- Single field wire into electrical shelf - Front access serviceability

## Codes/Standards Applicable

Electric Option Models are ETL certified to:

- UL 962
- CSA Standard C22.2 No. 68

## Dimensions

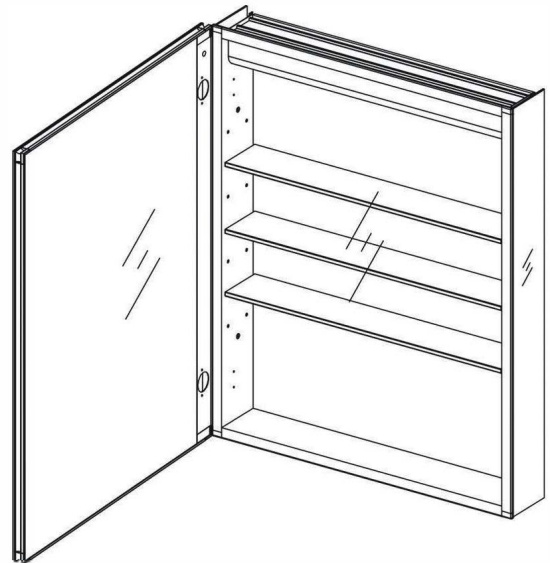
Height: 30" (762 mm)

Width: 24" (610 mm)

Depth: 5" (127 mm) When surface mounted

1" (25 mm) When recessed

24"x30"x5" Left Hinge



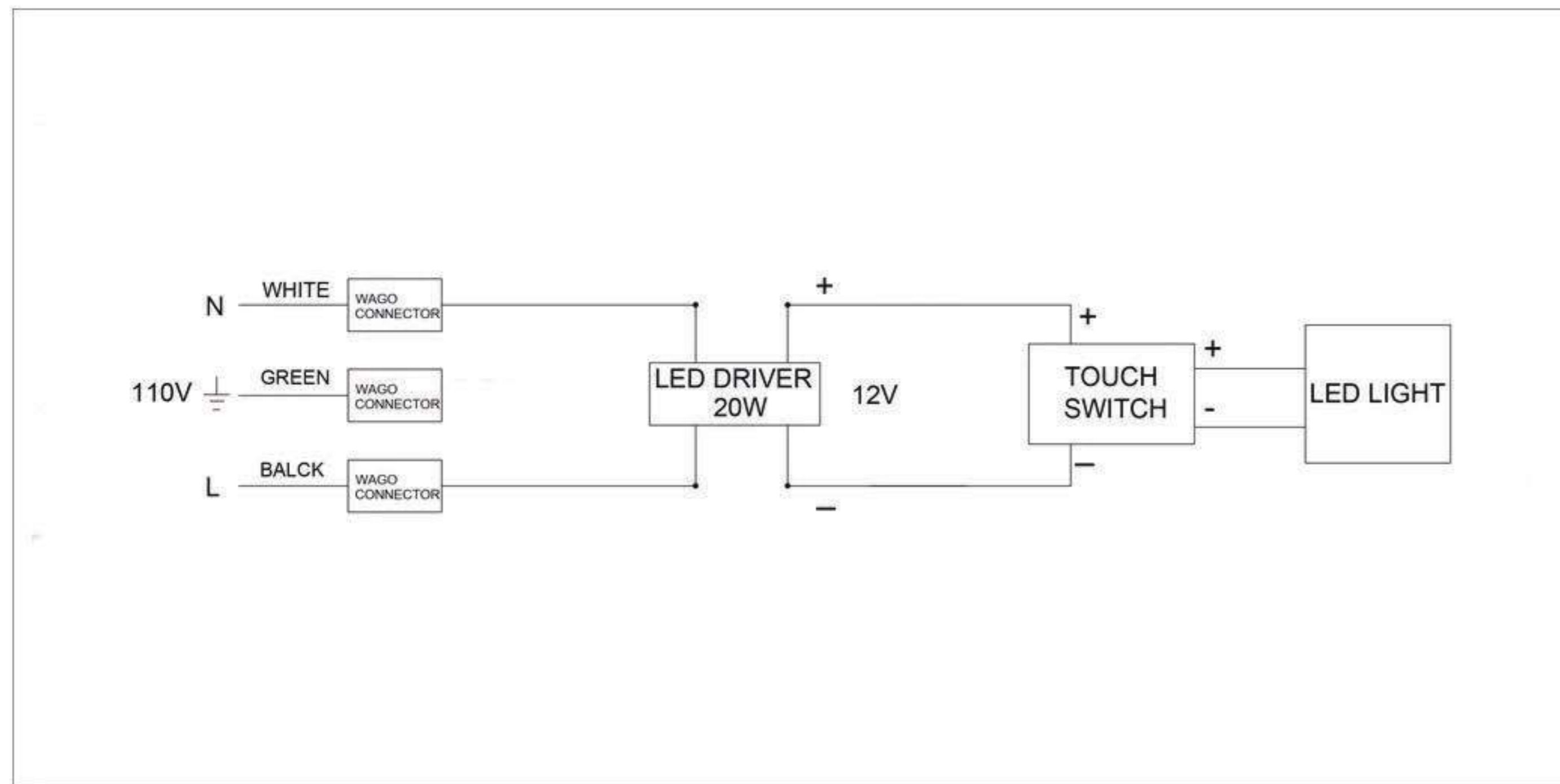


## Installation Options

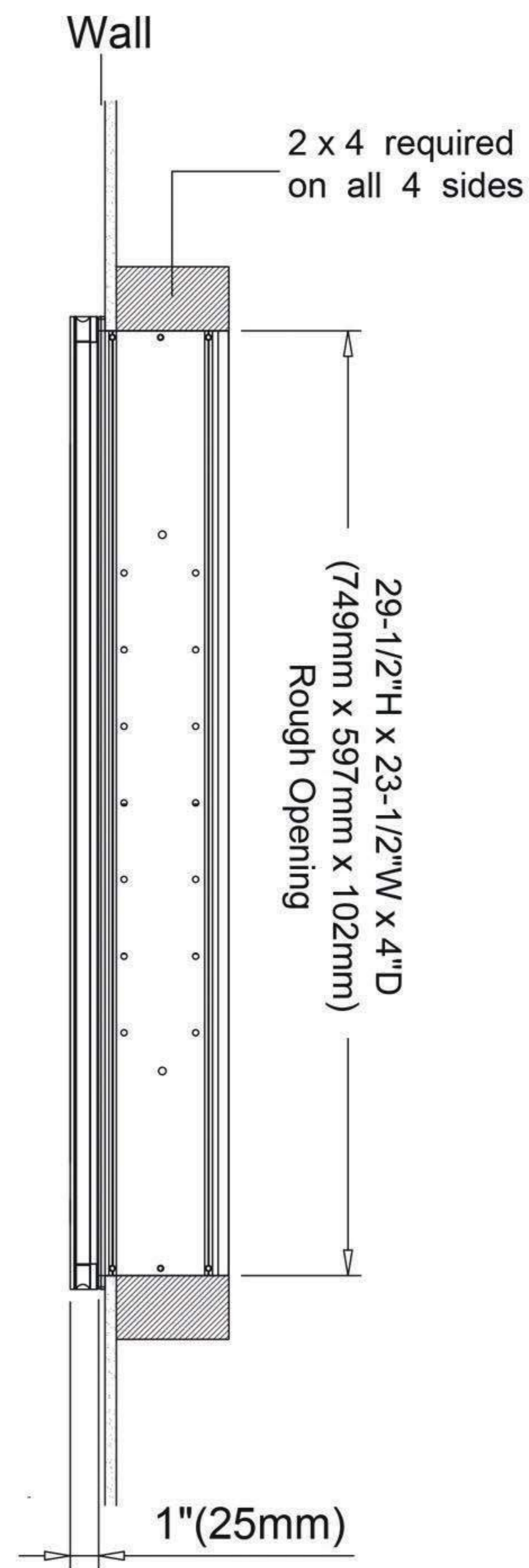
- Recessed Mount - Rough Opening - 29-1/2" H x 23-1/2" W x 4" D  
(749mm H x 597mm W x 102mm D)
- Surface Mount - Surface Mount Kit is included

## Electrical System

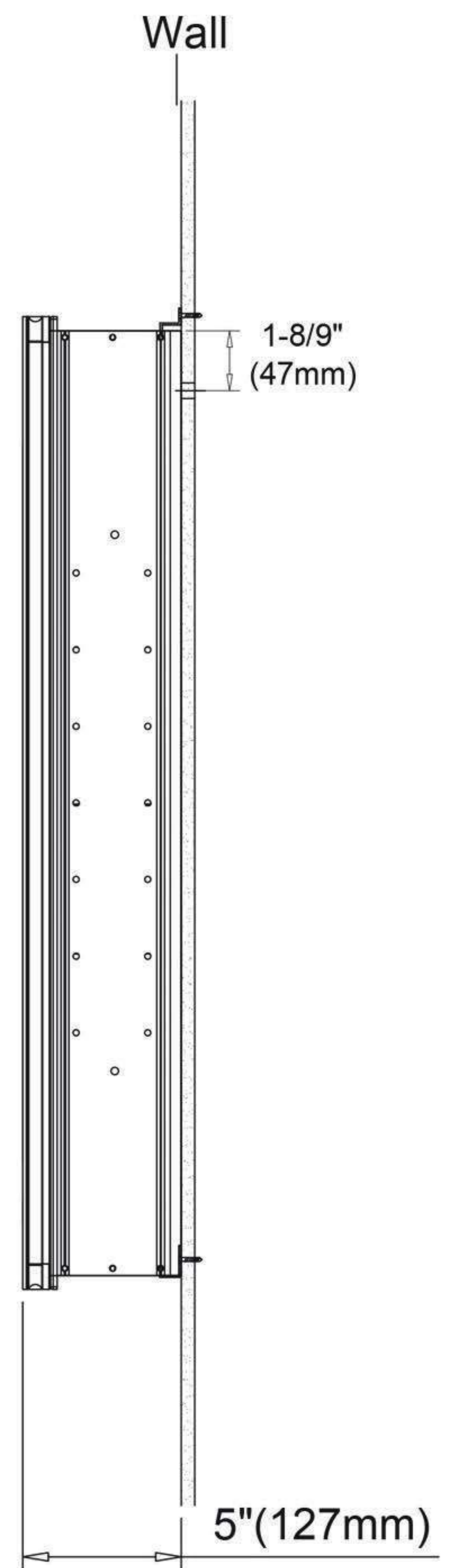
- 35 Watts LED Driver
- INPUT : 120VAC 60HZ 1.1A
- OUTPUT : 12VAC 3.0A
- Field wire location as shown in drawing
- 1/2" conduit (Ø 7/8" actual) electrical knockout location shown below
- Included field wire cable clamp
- Circuit Diagram



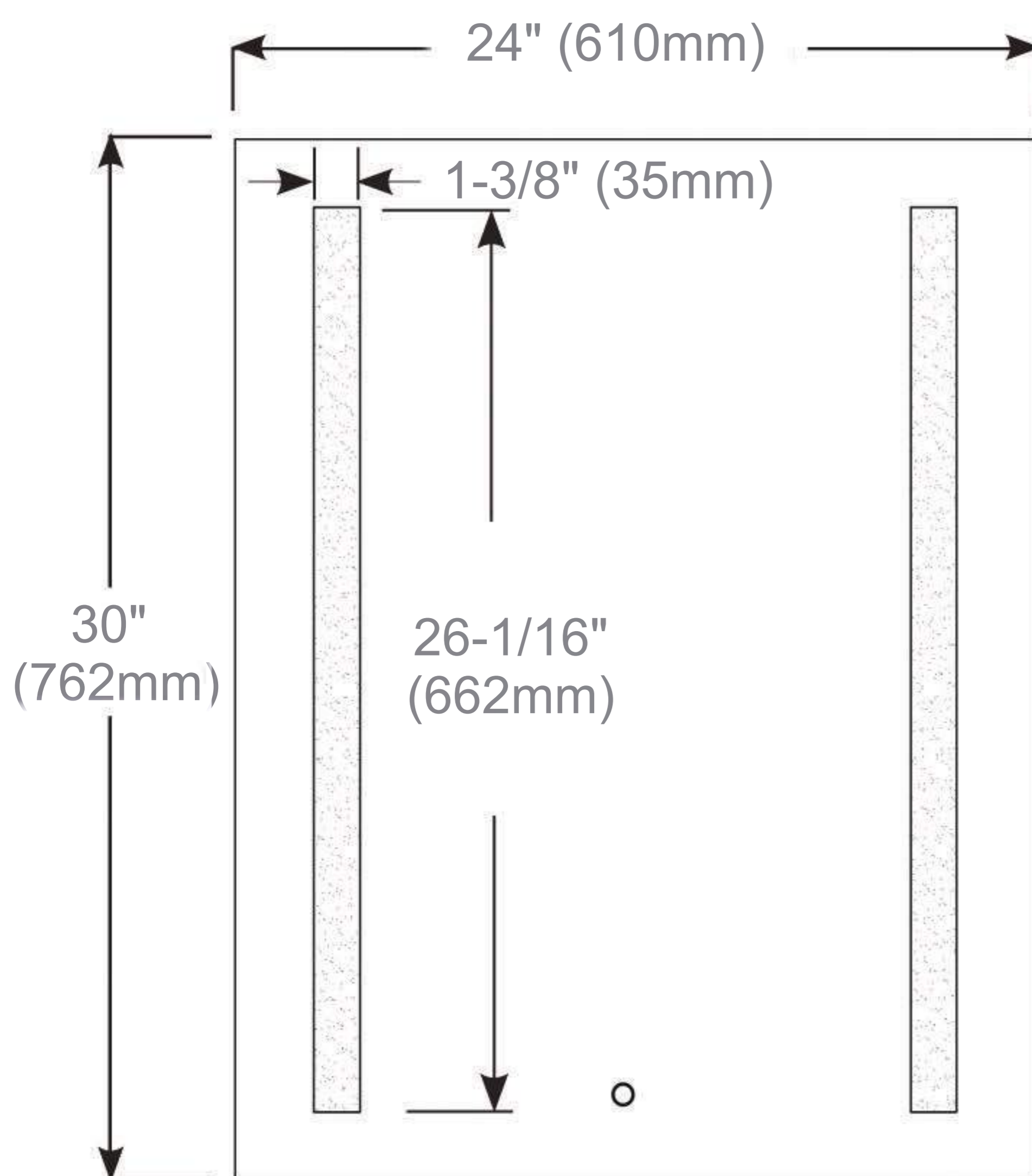
Circuit Diagram



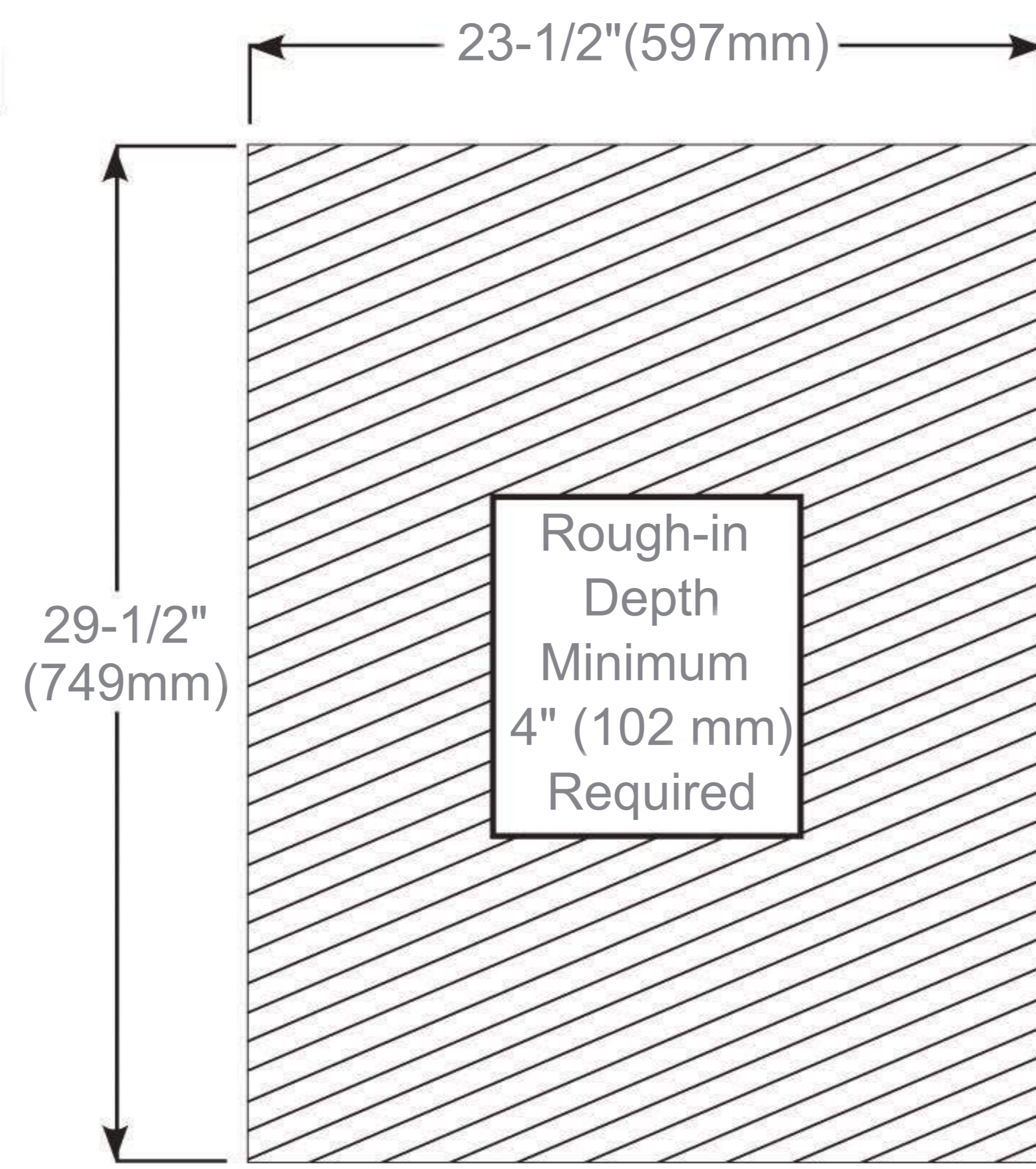
Recessed Mount



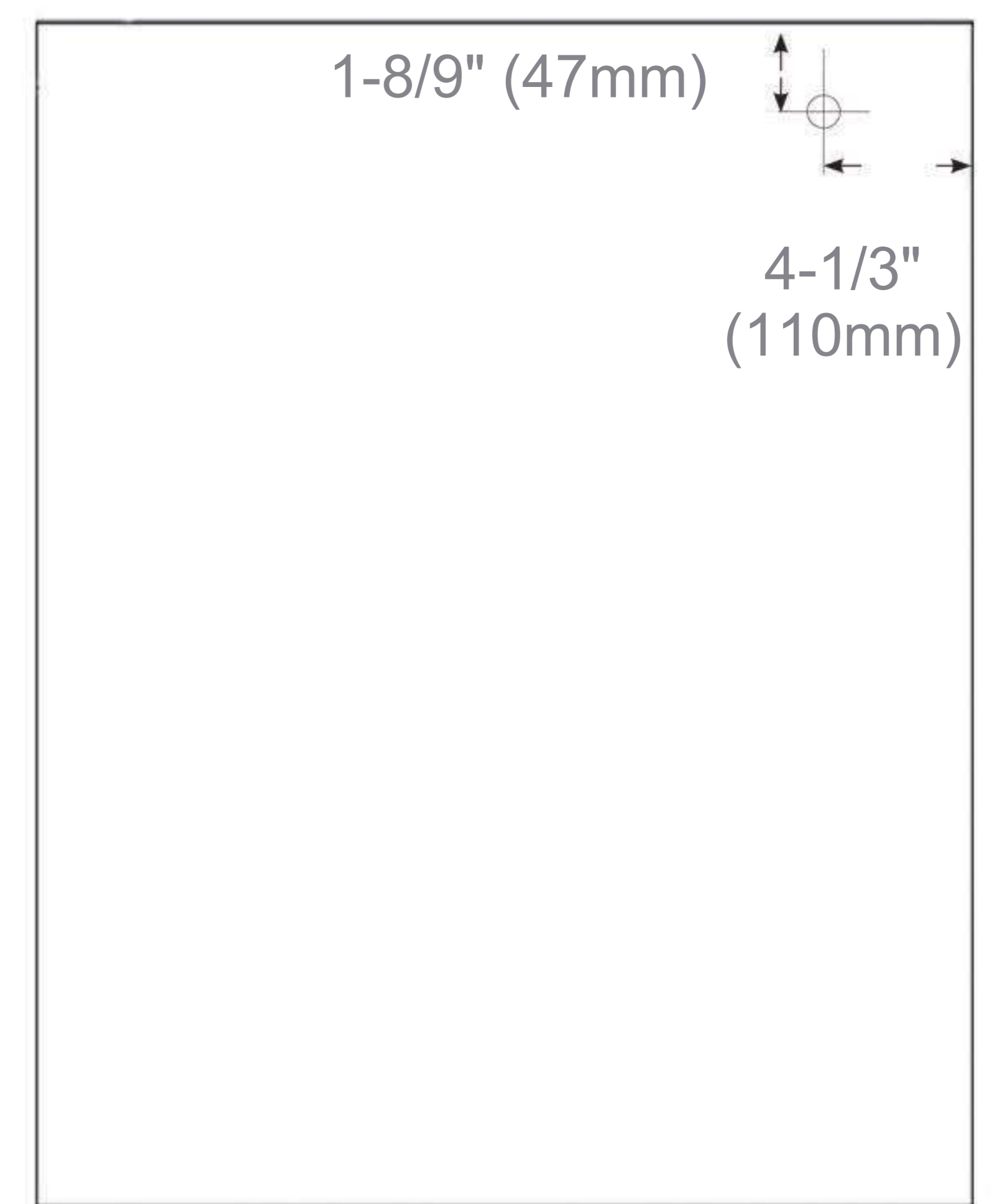
Surface Mount



Cabinet Dimensions



Rough-in Dimensions



Back of Cabinet - Wire Access Location