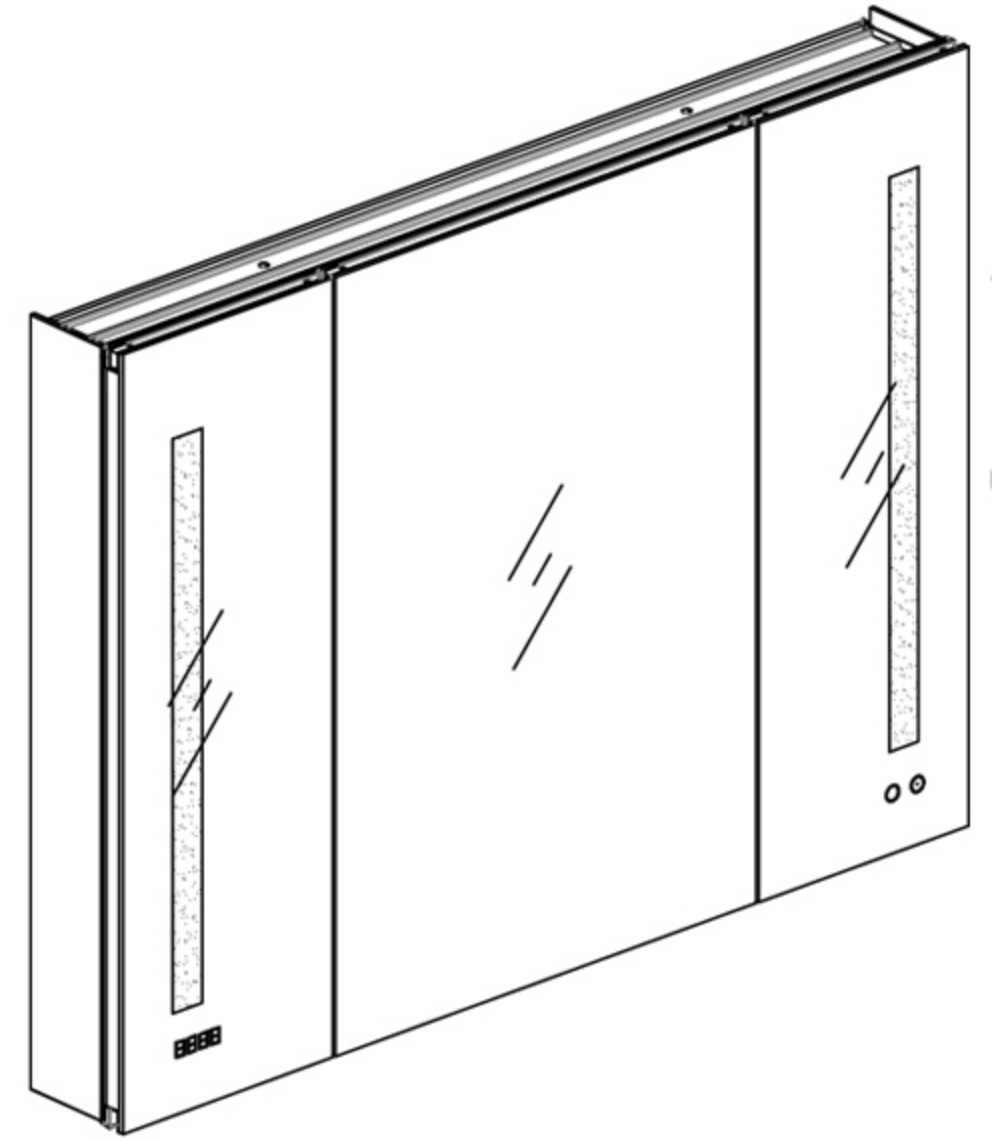


### Features

- 3D LED Color Temperature Lights with Dimmable touch control
- Mirrored interior with 4 layers adjustable glass shelves
- Includes Digital Clock
- Includes Defogger with push button
- Includes two outlets
- Includes an adjustable makeup mirror
- Includes installation hardware for recess mounting
- Can be recessed or surface mounted  
(surface mounting is included )
- Interior Light with sensor switch
- Energy efficient LED lighting:

Kelvin	3000	6500	4500 mixed color
CRI	80+	80+	80+
Lumens*†	900	900	1800
R9 Value*	50+	50+	50+
Watts (AC)	100	100	100
Lumens per Watt	90	90	90



### Construction

- Grey aluminum body and door frame
- 3 mirror design – rear of cabinet and both sides of door
- Concealed finger pull-door edge
- Three pieces DTC self-closing hinges for each door ,  
both side door open 155°, middle door open 90°
- Adjustable shelving at 2 1/3" (60 mm) increments
- Single field wire into electrical shelf - Front access serviceability

### Codes/Standards Applicable

Electric Option Models are ETL certified to:

- UL 962
- CSA Standard C22.2 No. 68

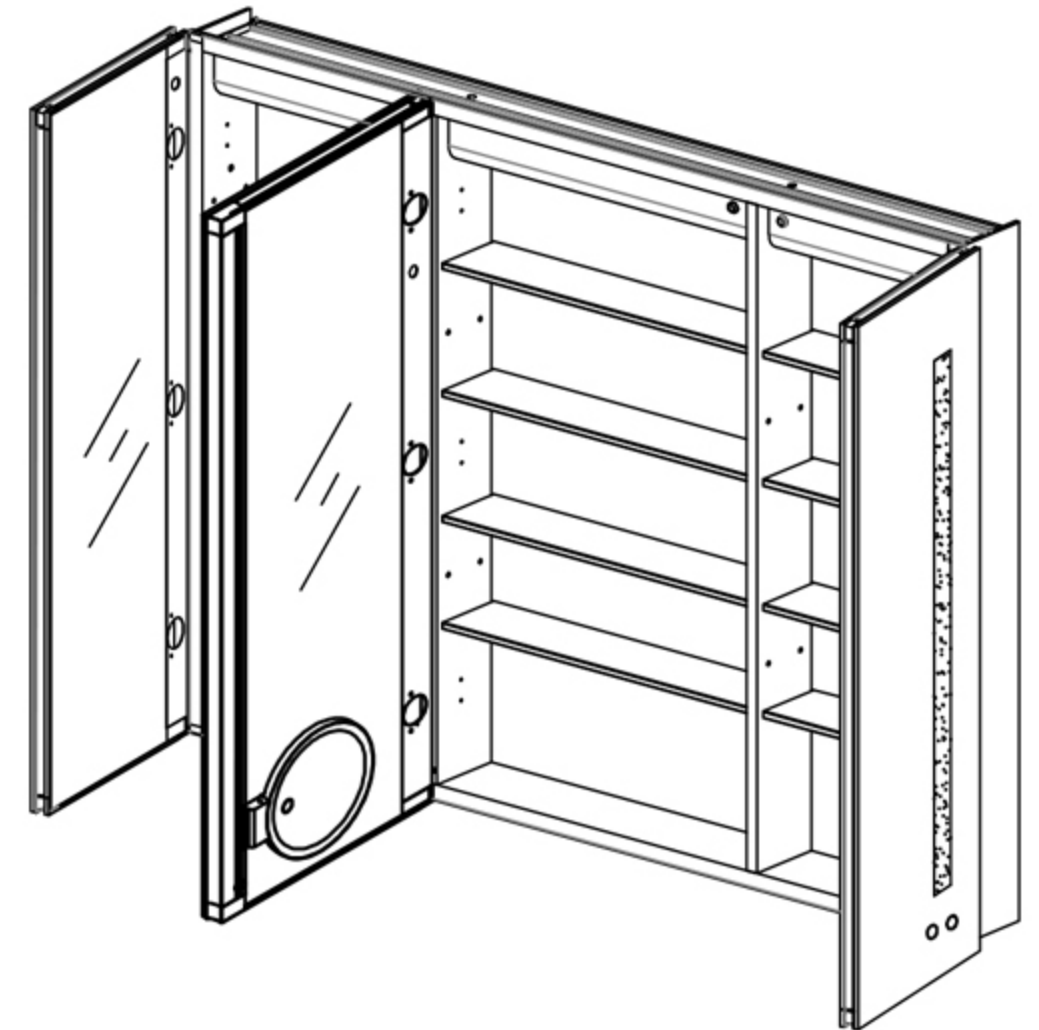
### Dimensions

Height: 36" (913 mm)

Width: 48" (1223 mm)

Depth: 5" (127 mm) When surface mounted

1" (25 mm) When recessed



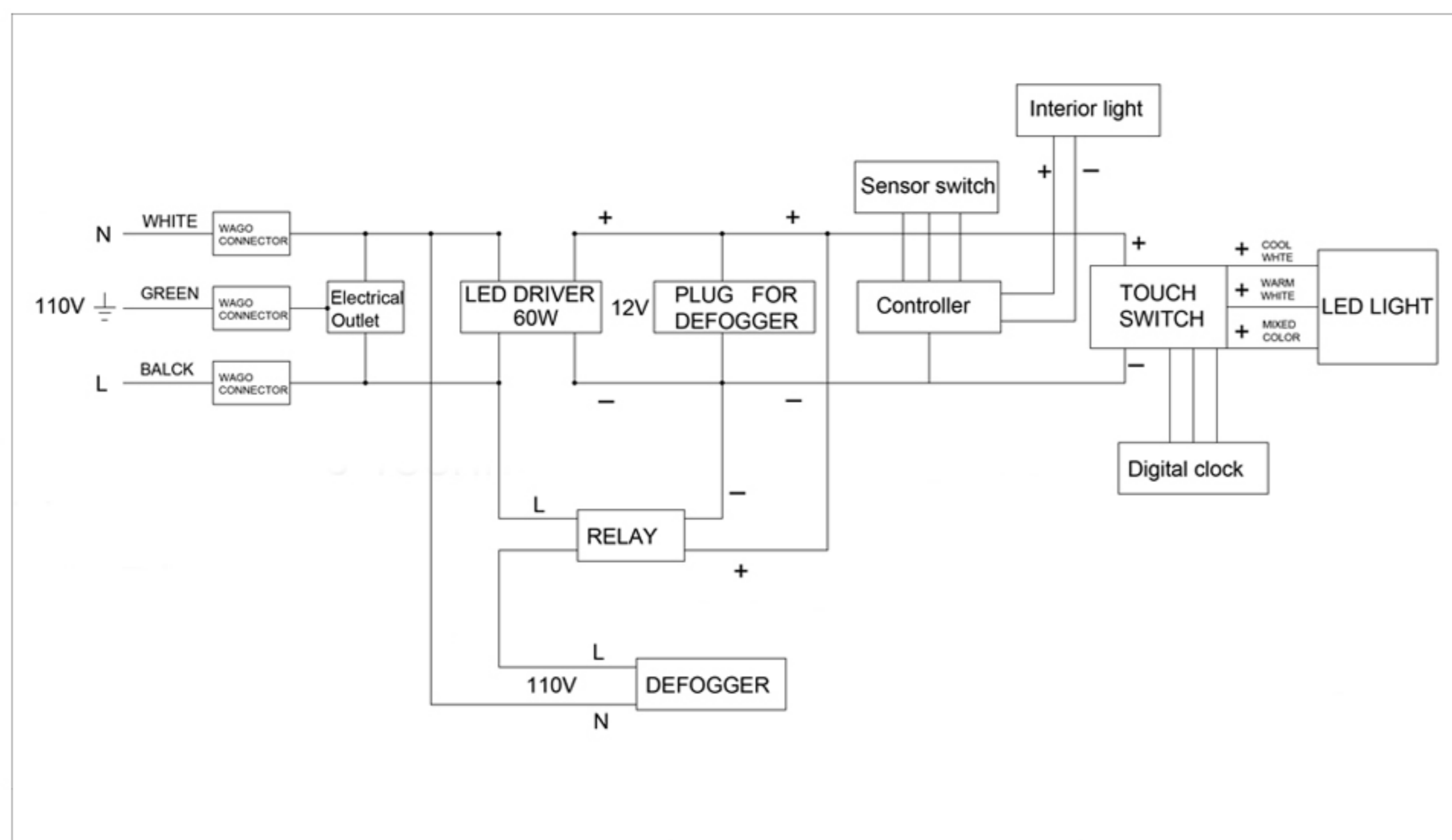


## Installation Options

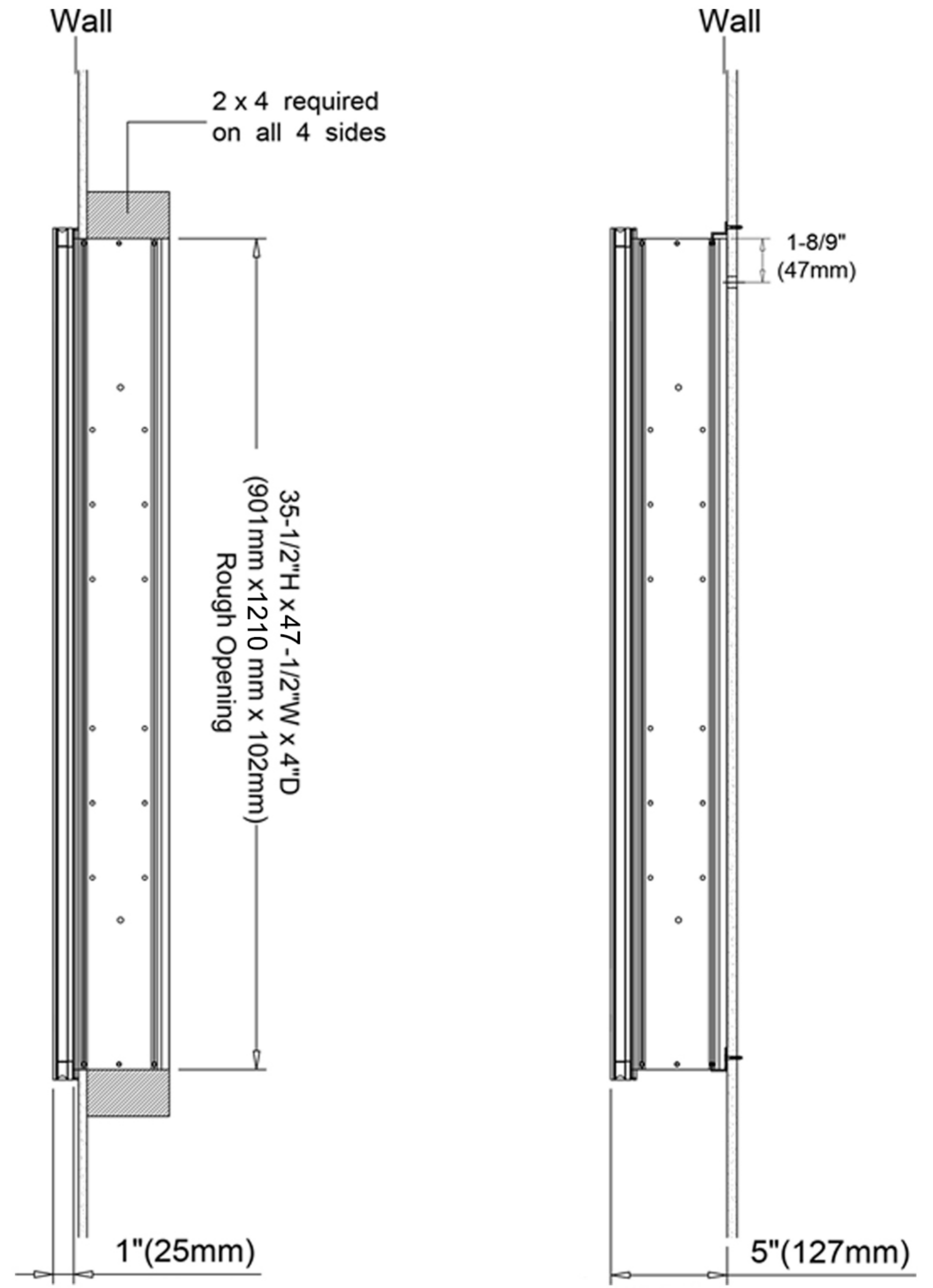
- Recessed Mount - Rough Opening - 35-1/2" H x 47-1/2" W x 4" D (901mm H x 1210mm W x 102mm D)
- Surface Mount - Surface Mount Kit is included

## Electrical System

- 100 Watts LED Driver
- INPUT : 120VAC 60HZ 2.2A
- OUTPUT : 12VAC 8.5A
- Field wire location as shown in drawing
- 1/2" conduit (Ø 7/8" actual) electrical knockout location shown below
- Included field wire cable clamp
- Circuit Diagram

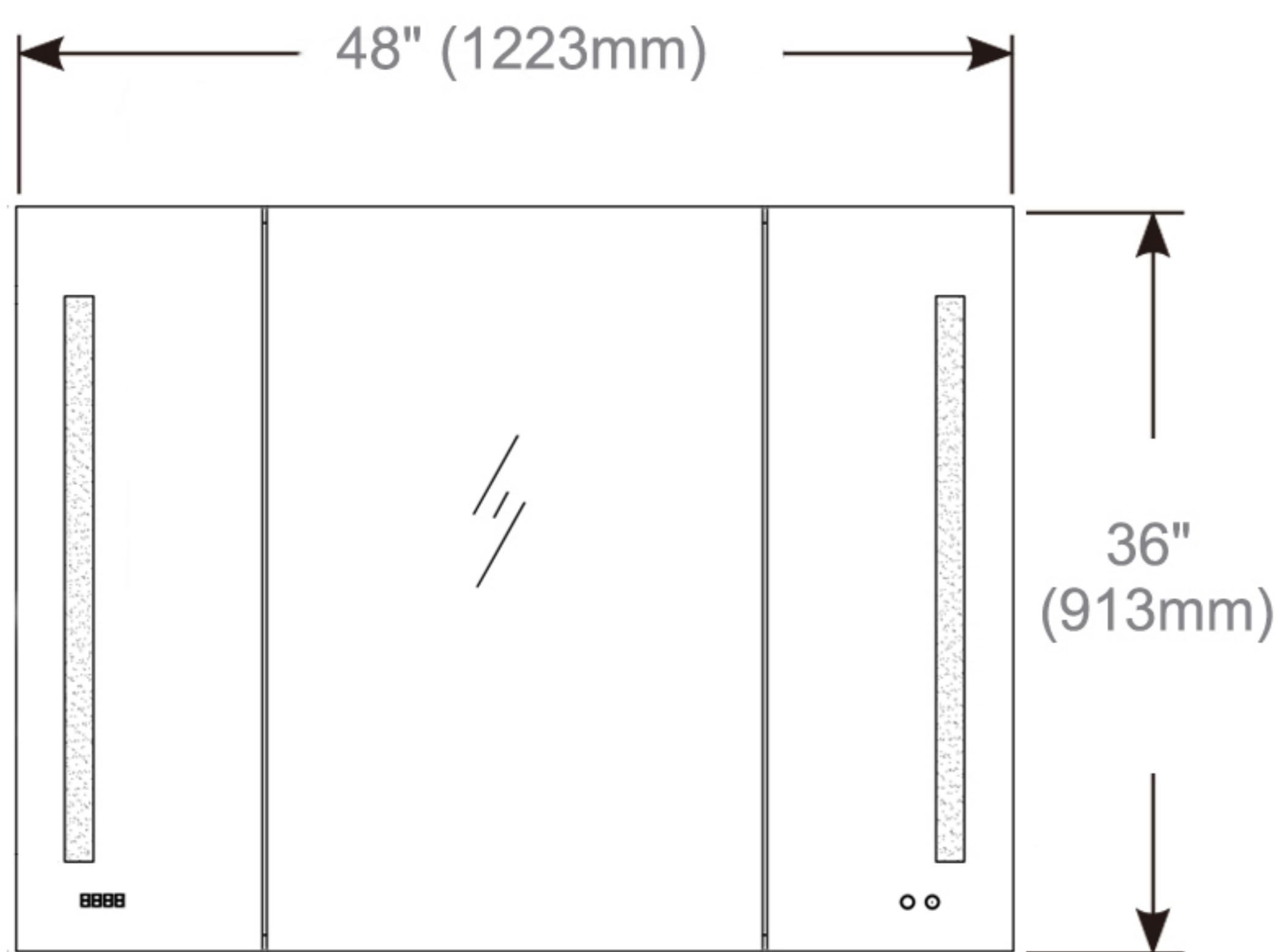


Circuit Diagram

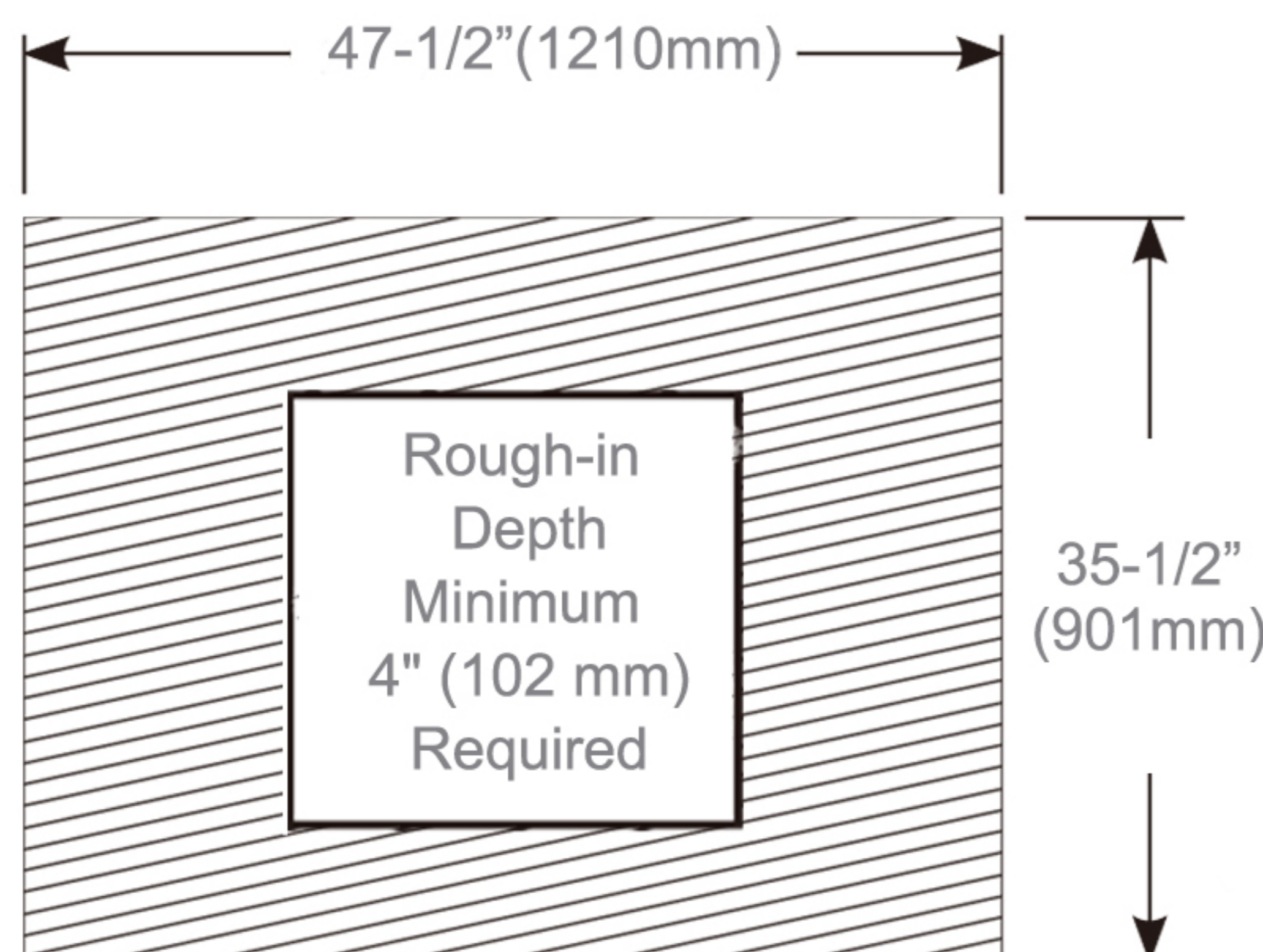


Recessed Mount

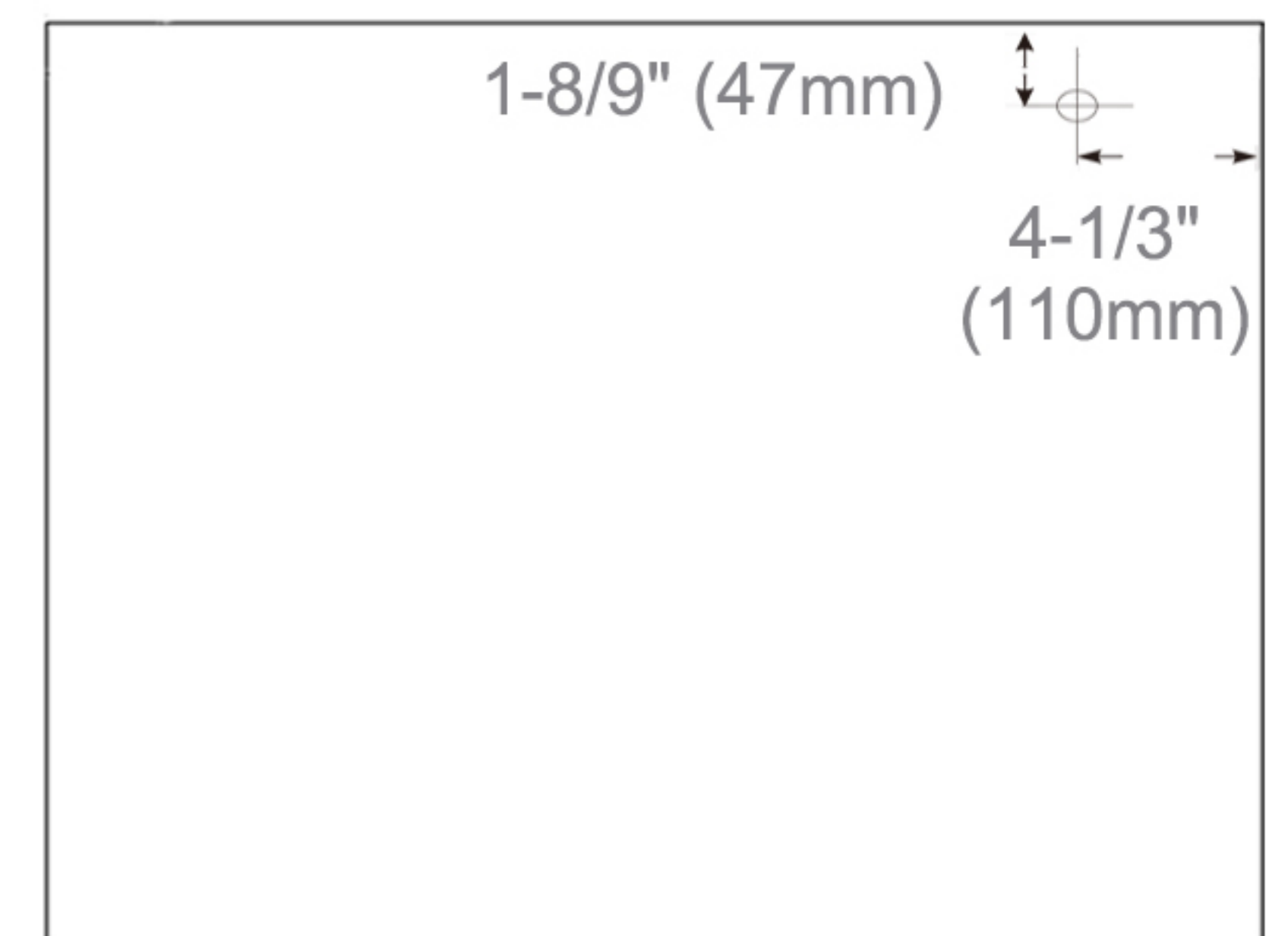
Surface Mount



Cabinet Dimensions



Rough-in Dimensions



Back of Cabinet - Wire Access Location