

Features

Defogger: have your mirror fog free with a touch of a button. Dedicated defogger button is located along the frame on the inside of the cabinet.

3X LED Lighted Magnifying Mirror: A built-in, removable, LED-lighted magnifying mirror on the inside of the door, is vertically adjustable flip-out flat to accommodate users of varying heights.

Dimmer: Dim the light of your choice by holding down the on button.

Digital Clock: modern and convenient feature.

Electrical Outlets: Dual electrical outlets with USB are located inside the cabinet.

Light Control: Cycle through the color temperature light with a tap of a dedicated button, 3 Color temperature lights. Warm, Cool, and Neutral.

Inside Lighting: the light sensor switches the interior light automatically.

| | |
|-----------------|------|
| Kelvin | 6500 |
| CRI | 80+ |
| Lumens*† | 810 |
| R9 Value* | 50+ |
| Watts (AC) | 60 |
| Lumens per Watt | 90 |

Construction

BLUM Soft Close Hinges: Soft Close hinges allow for a smooth and secure 155-degree opening.

Glass Shelves: 8mm clear adjustable glass shelves are included for you to arrange them according to your needs.

Mirror: Quality polished edge 5mm silver mirrored glass is used for the best front-surface reflexivity in the visible spectrum.

Interior: Double Sided Mirrored Doors and Back Wall.

Installation: Recessed or Surface Mount.

Codes/Standards Applicable

Electric Option Models are ETL certified to:

UL 962

CSA Standard C22.2 No.68

Dimensions

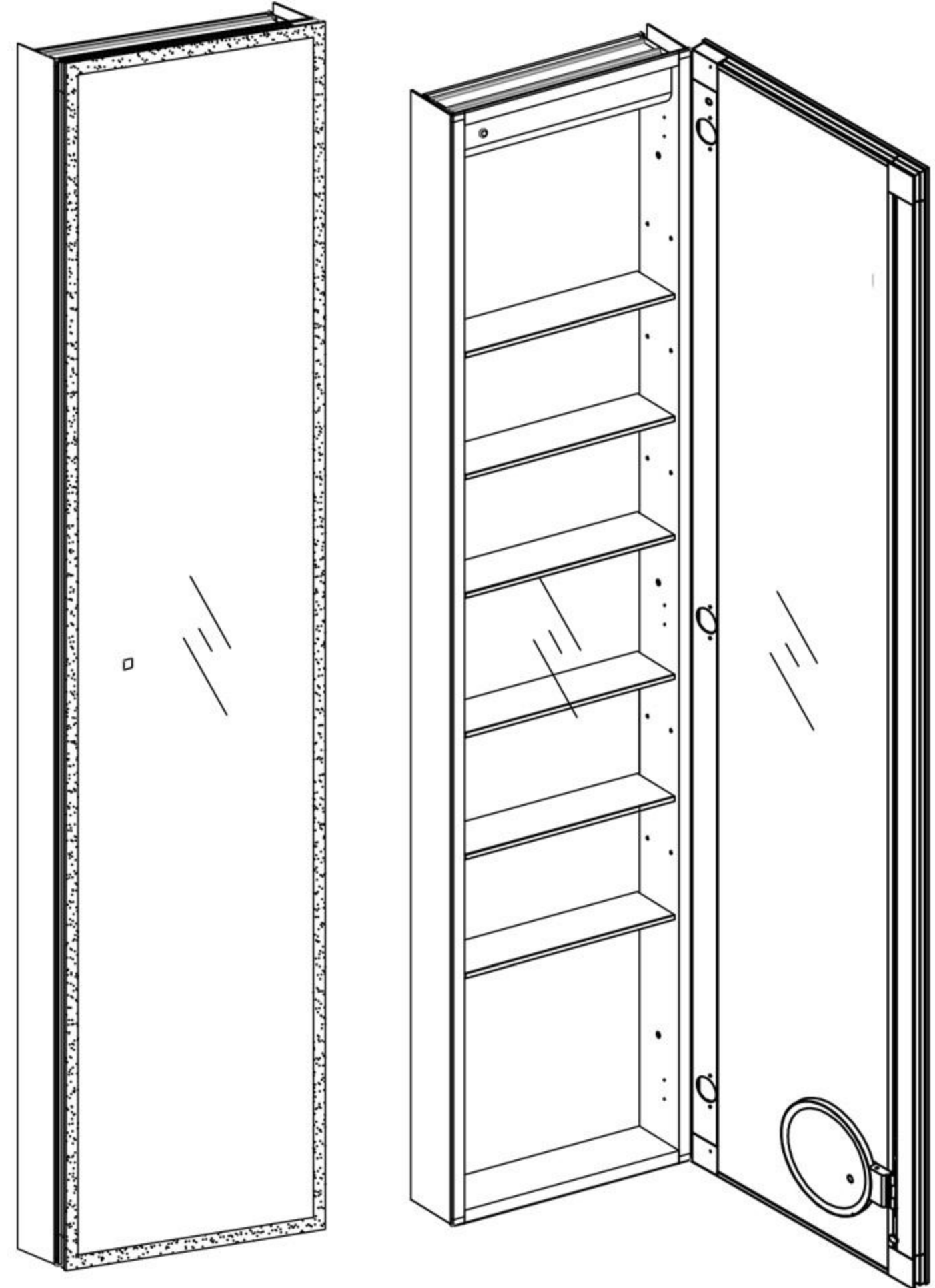
Height: 70" (1778 mm)

Width: 15" (381 mm)

Depth When surface mounted: 5" (127 mm)

Depth When recessed: 1" (25mm)

15"W x 70"H x 5"D Right Hinge

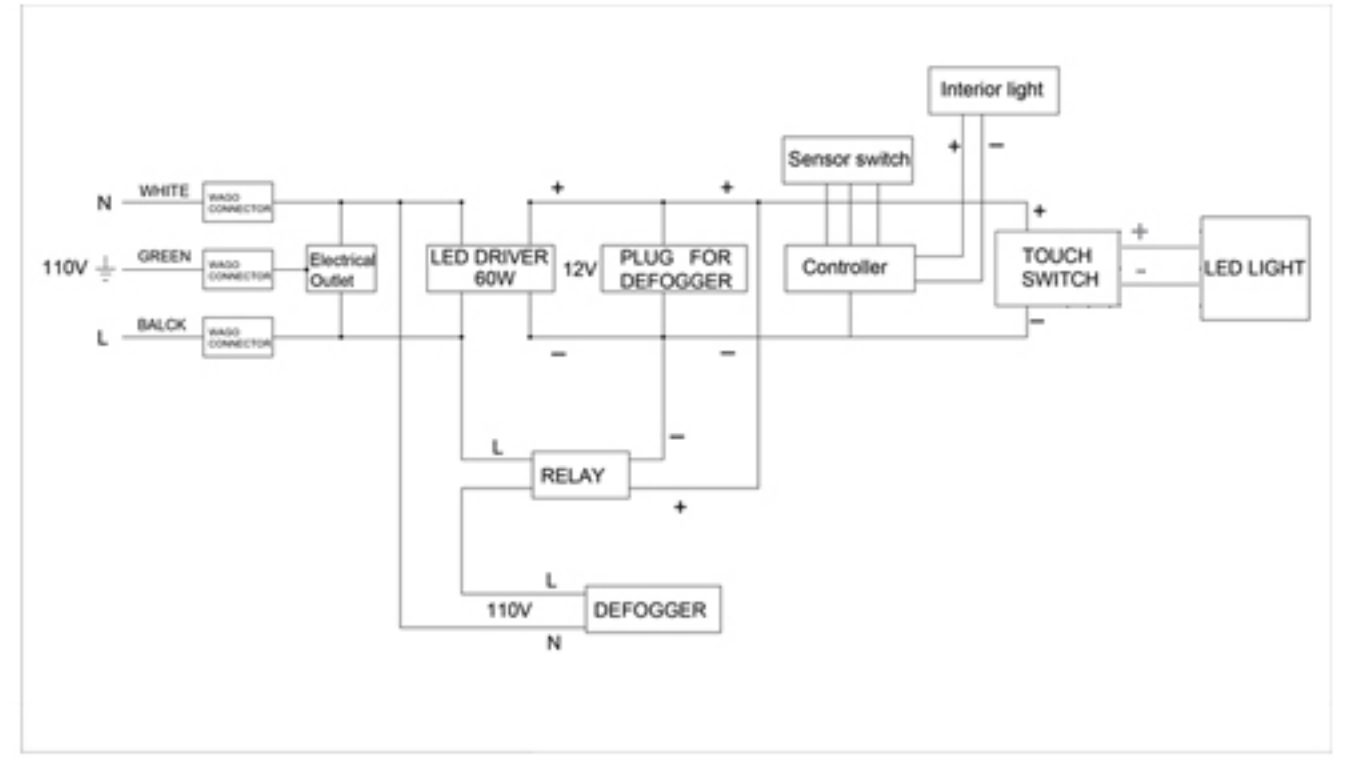


Installation Options

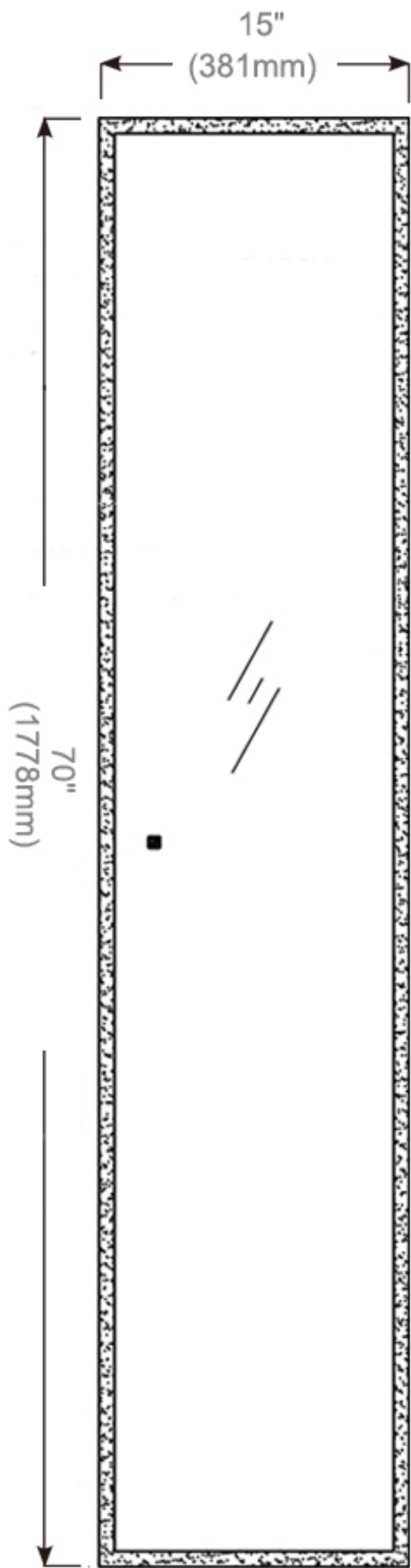
- Recessed Mount - Rough Opening - 69-1/2" H x 14-1/2" W x 4" D (1765mm H x 368mm W x 102mm D)
- Surface Mount - Surface Mount Kit is included

Electrical System

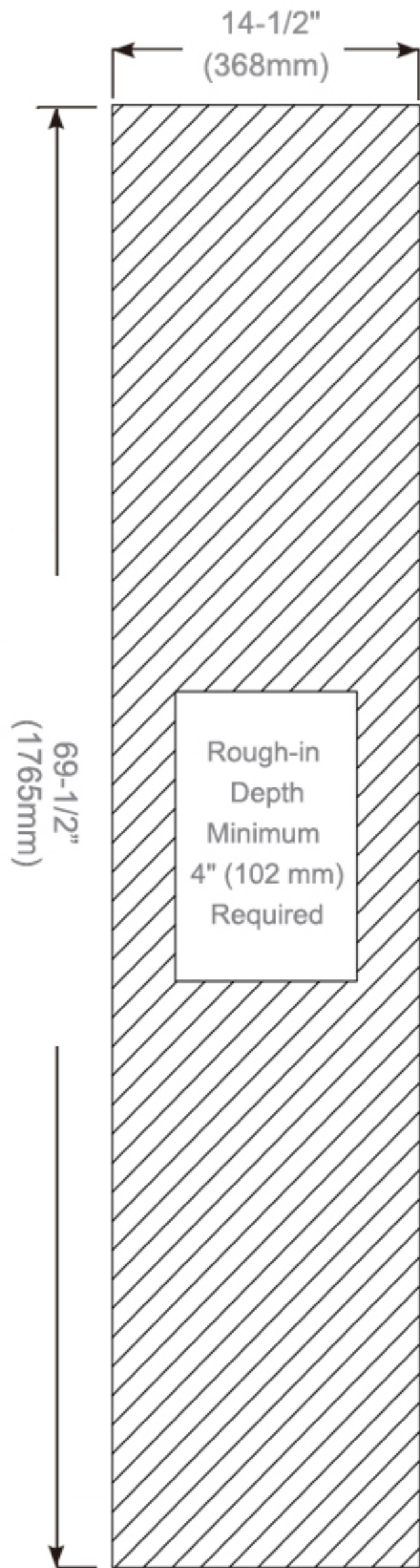
- 100 Watts LED Driver
- INPUT : 120VAC 60HZ 2.2A
- OUTPUT : 12VAC 8.5A
- Field wire location as shown in drawing
- 1/2" conduit (Ø 7/8" actual) electrical knockout location shown below
- Included field wire cable clamp
- Circuit Diagram



Circuit Diagram



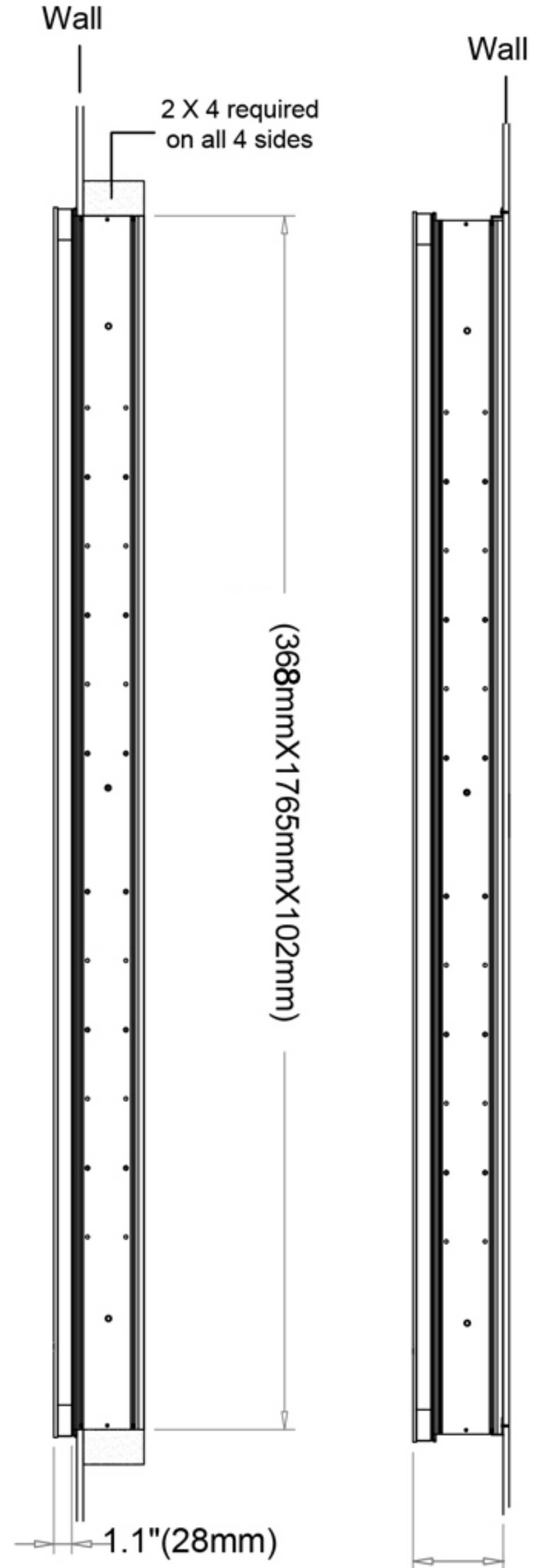
Cabinet Dimensions



Rough-in Dimensions



Back of Cabinet
- Wire Access Location



Recessed Mount

Surface Mount