

## Features

**Defogger:** have your mirror fog free with a touch of a button. Dedicated defogger button is located along the frame on the inside of the cabinet.

**3X LED Lighted Magnifying Mirror:** A built-in, removable, LED-lighted magnifying mirror on the inside of the door, is vertically adjustable flip-out flat to accommodate users of varying heights.

**Dimmer:** Dim the light of your choice by holding down the on button.

**Electrical Outlets:** Dual electrical outlets with USB are located inside the cabinet.

**Magnetic Organization:** Utilize the magnetic area embedded in the cabinet rail to neatly arrange and keep small metal items easily accessible

## Construction

**BLUM Soft Close Hinges:** Soft Close hinges allow for a smooth and secure 155-degree opening.

**Glass Shelves:** 8mm clear adjustable glass shelves are included for you to arrange them according to your needs.

**Mirror:** Quality polished edge 5mm silver mirrored glass is used for the best front-surface reflexivity in the visible spectrum.

**Interior:** Double Sided Mirrored Doors and Back Wall.

**Installation:** Recessed or Surface Mount.

## Codes / Standards Applicable

**Electric Option Models are ETL certified to:**

UL 962

CSA Standard C22.2 No.68

## Dimensions

**Height:** 40" (1016 mm)

**Width:** 24" (609 mm)

**Depth When surface mounted:** 5" (127 mm)

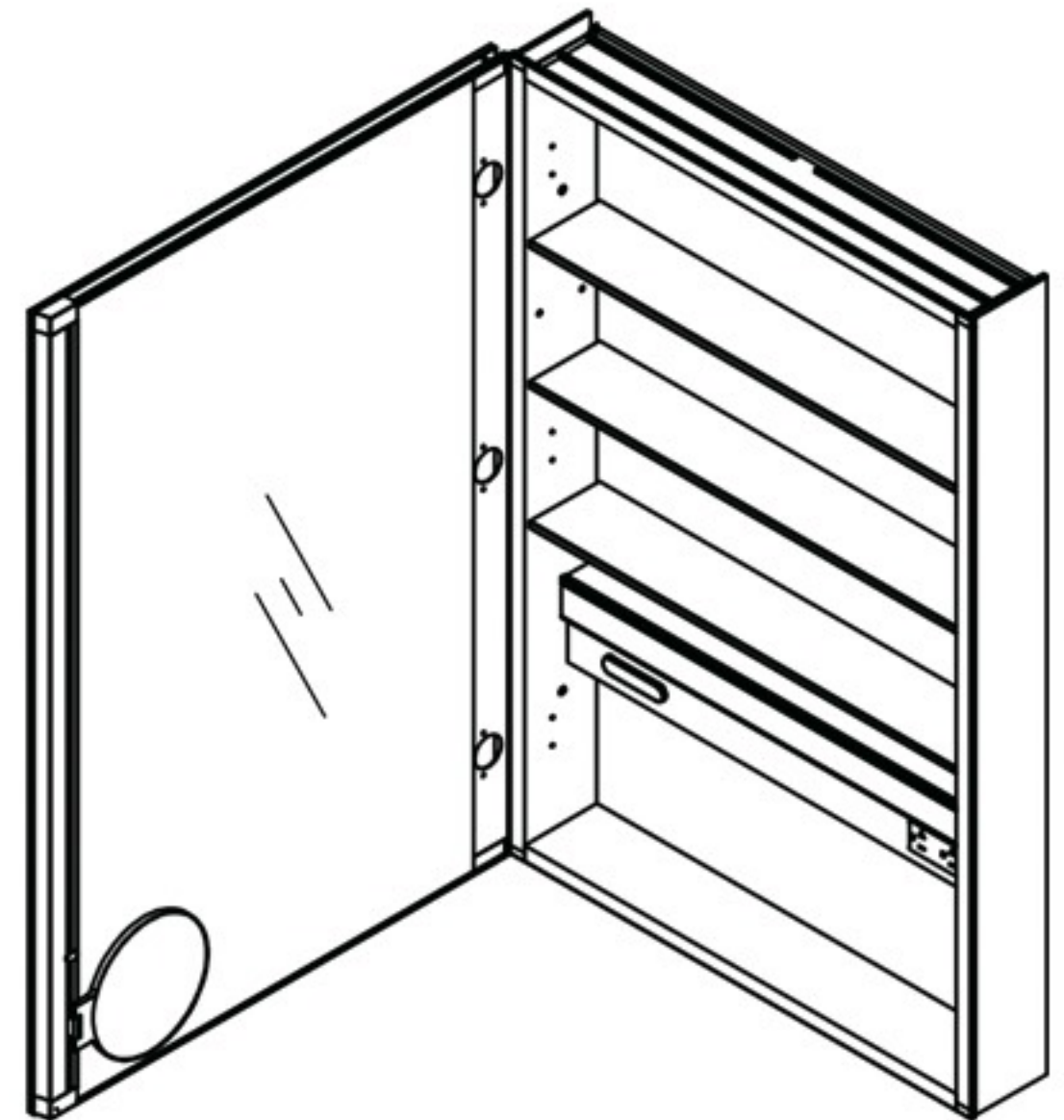
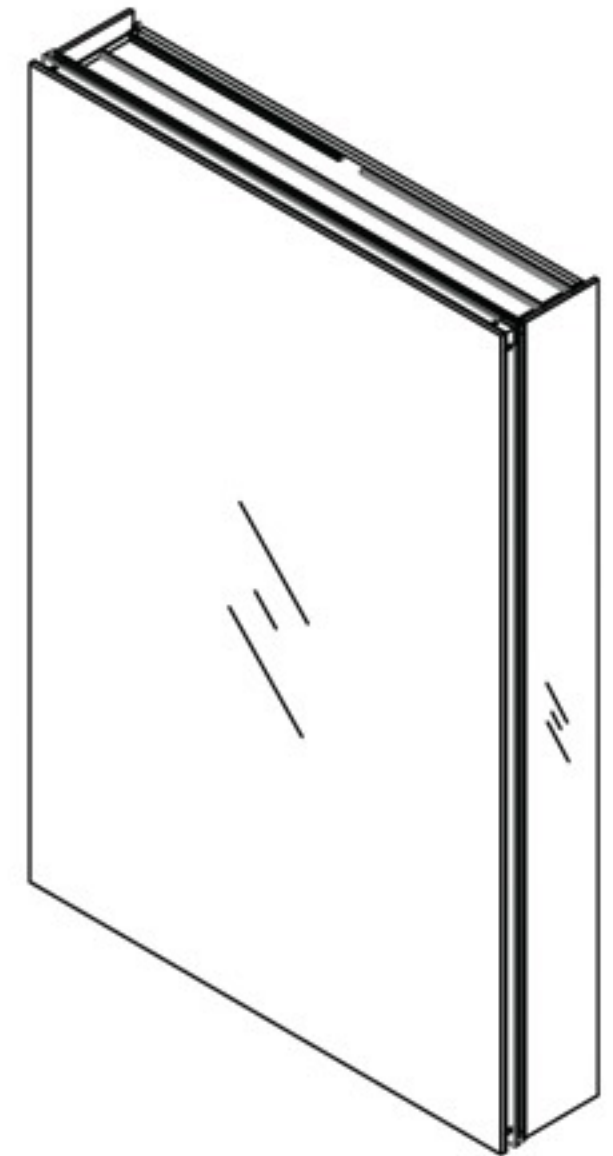
**Depth When recessed:** 1" (25mm)

24"W x 40"H x 5"D Left Hinge

## Installation Options

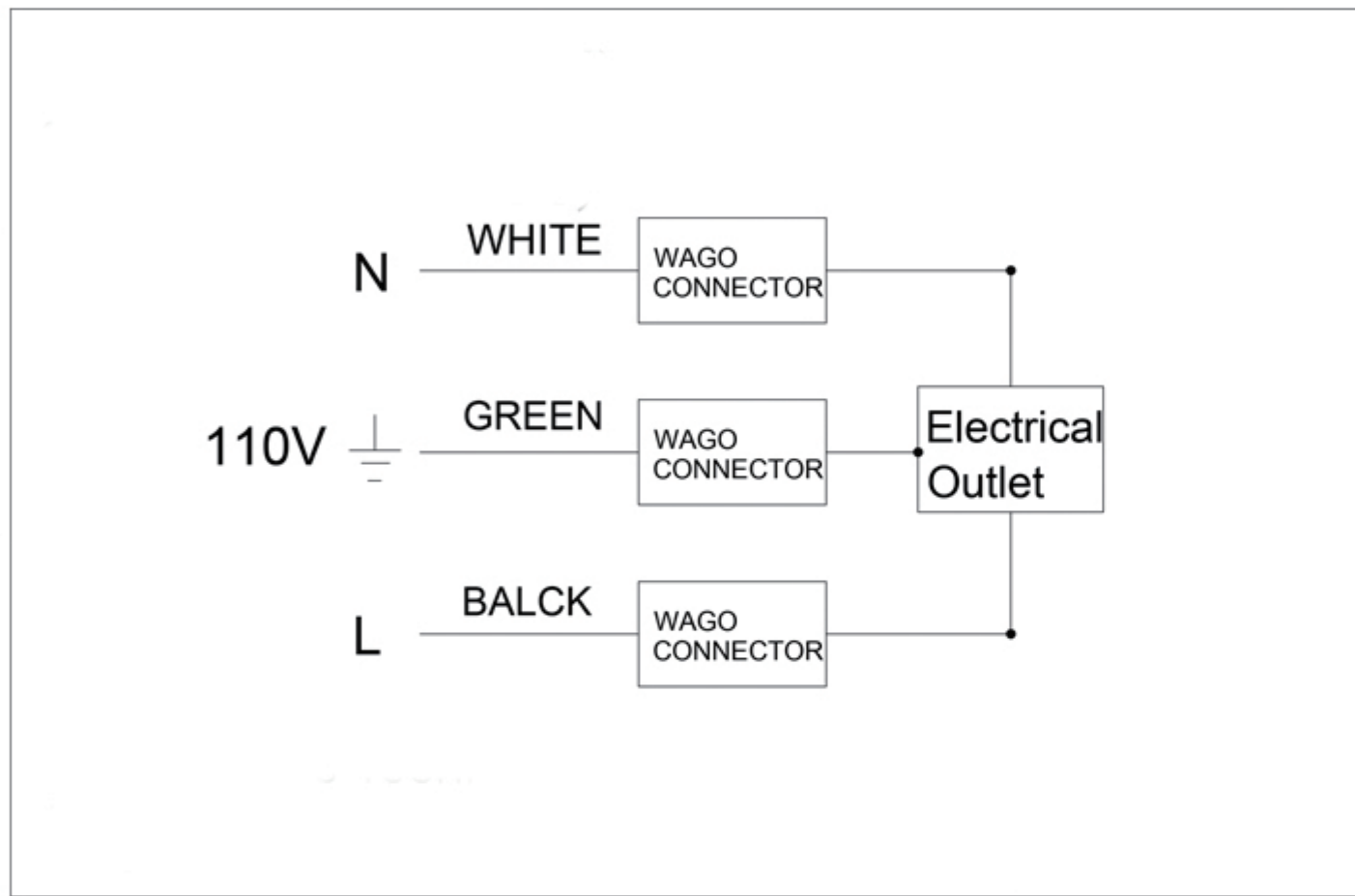
**Recessed Mount: Rough Opening**  
23-1/2" W x 39-1/2" H x 4" D

**Surface Mount: Surface Mount Kit is included**

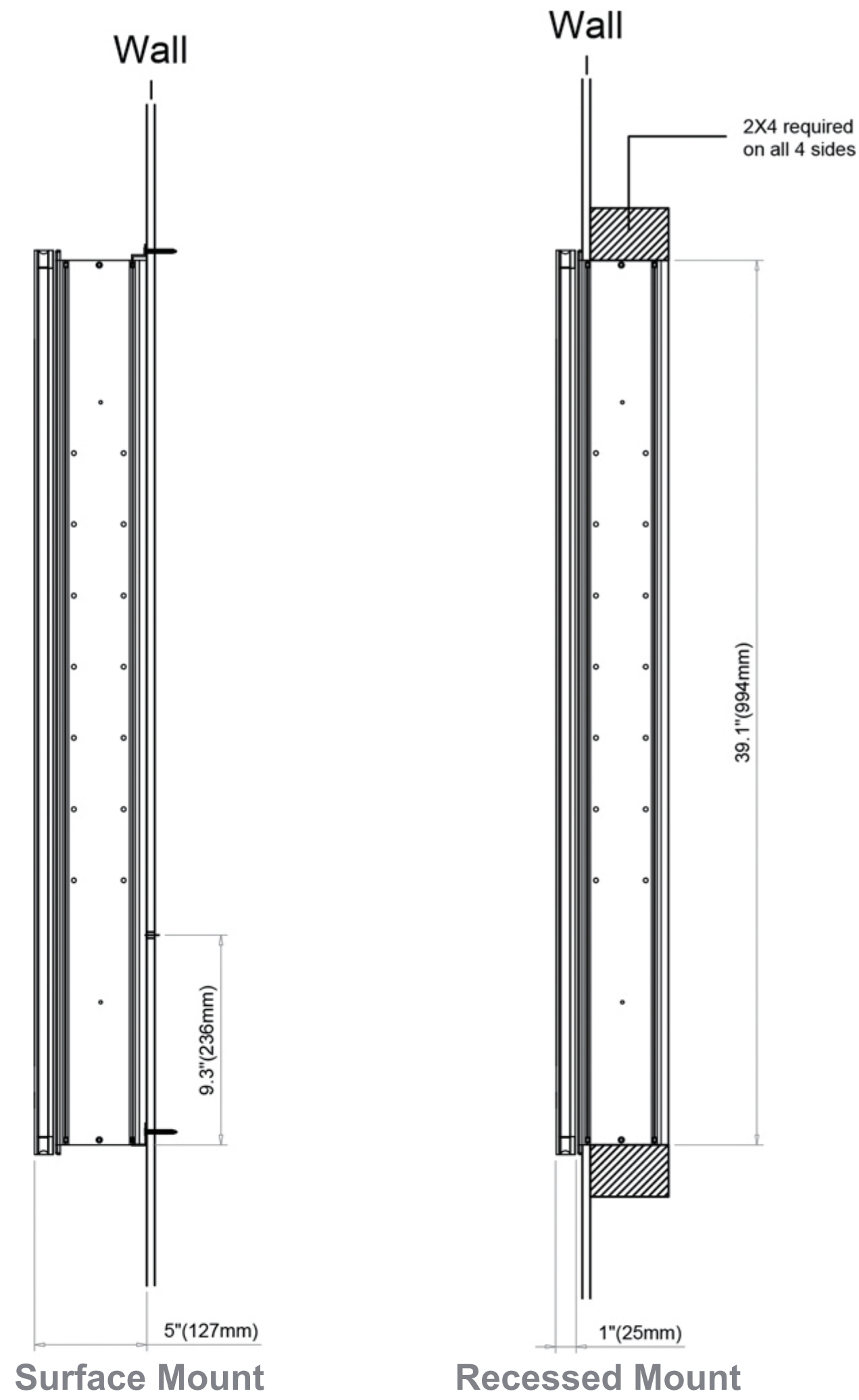


# Electrical System

- INPUT : 110VAC
- OUTPUT : 110VAC
- Field wire location as shown in drawing
- 1/2" conduit (Ø 7/8" actual) electrical knockout location shown below
- Included field wire cable clamp
- Circuit Diagram

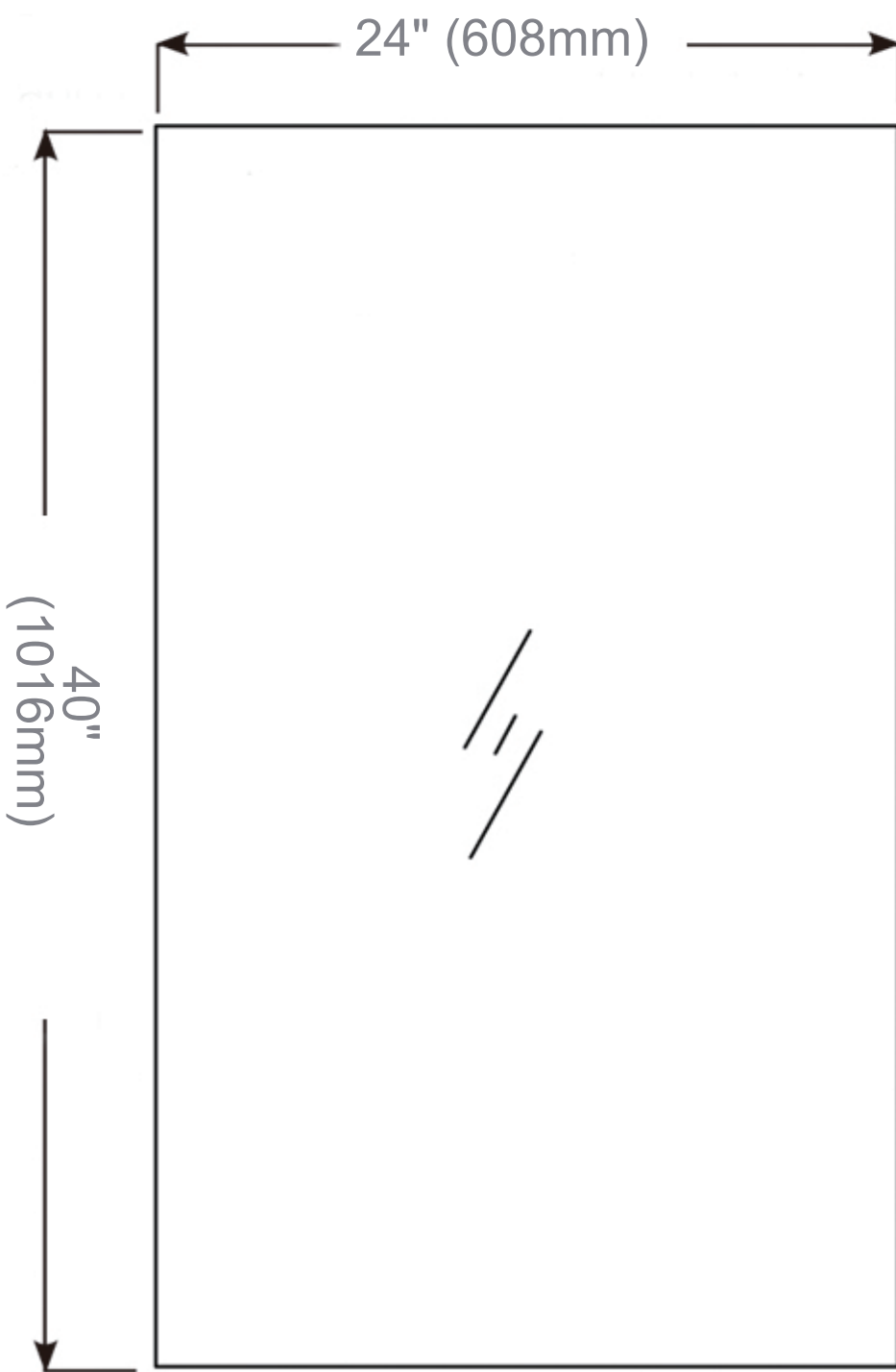


Circuit Diagram

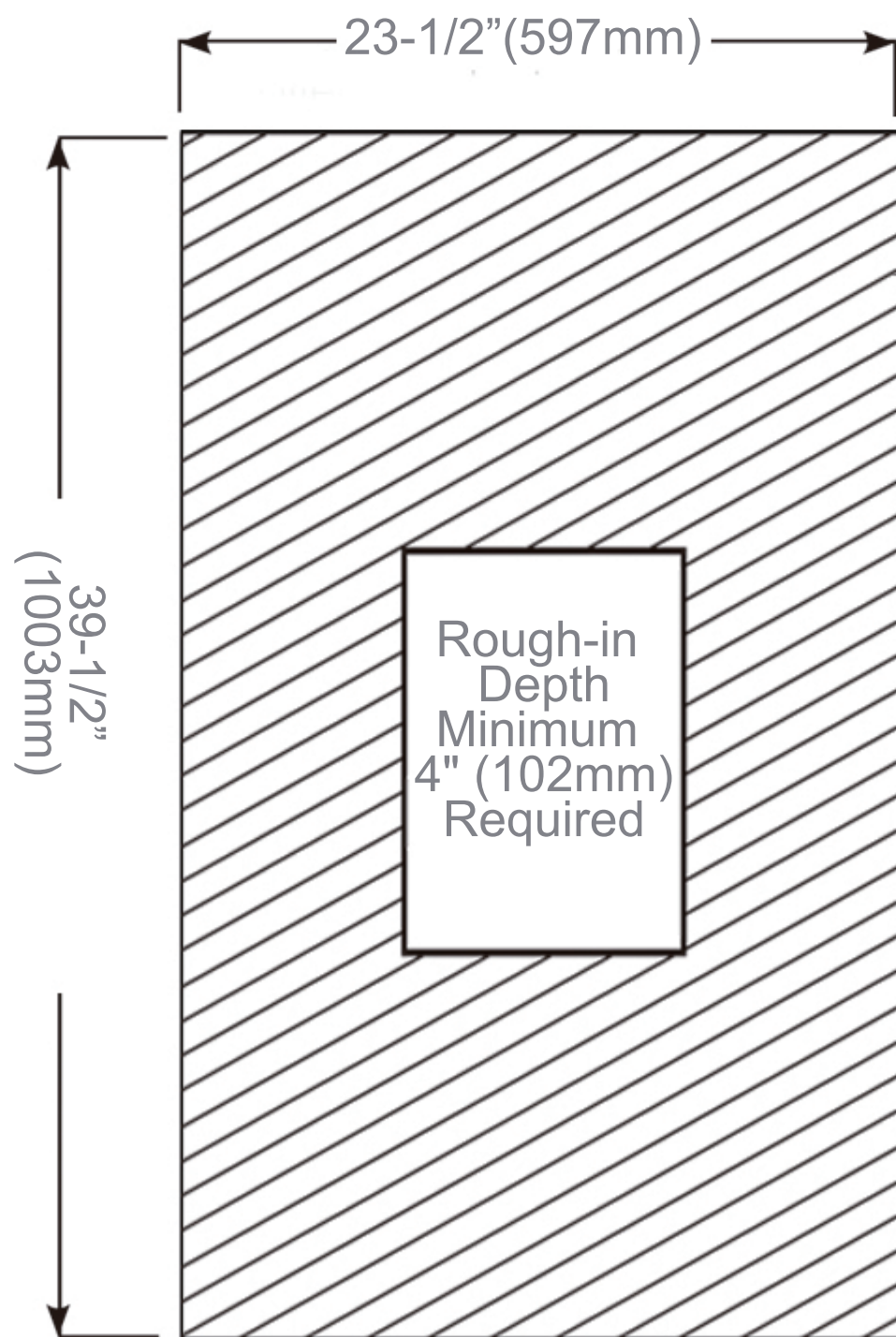


Surface Mount

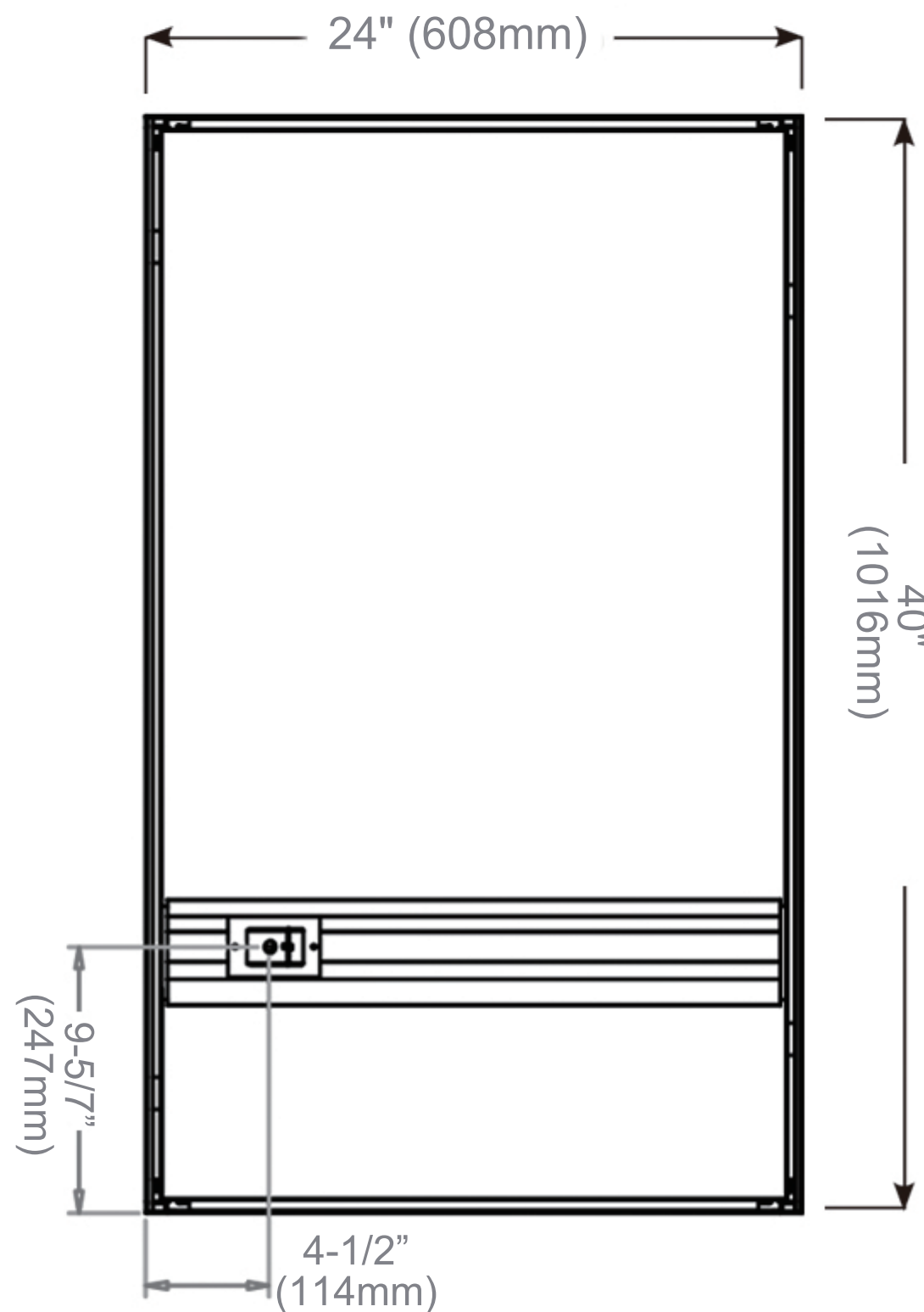
Recessed Mount



Cabinet Dimensions



Rough-in Dimensions



Back of Cabinet - Wire Access Location