

Features

Defogger: have your mirror fog free with a touch of a button. Dedicated defogger button is located along the frame on the inside of the cabinet.

3X LED Lighted Magnifying Mirror: A built-in, removable, LED-lighted magnifying mirror on the inside of the door, is vertically adjustable flip-out flat to accommodate users of varying heights.

Dimmer: Dim the light of your choice by holding down the on button.

Electrical Outlets: Dual electrical outlets with USB are located inside the cabinet.

Magnetic Organization: Utilize the magnetic area embedded in the cabinet rail to neatly arrange and keep small metal items easily accessible

Construction

BLUM Soft Close Hinges: Soft Close hinges allow for a smooth and secure 155-degree opening.

Glass Shelves: 8mm clear adjustable glass shelves are included for you to arrange them according to your needs.

Mirror: Quality polished edge 5mm silver mirrored glass is used for the best front-surface reflexivity in the visible spectrum.

Interior: Double Sided Mirrored Doors and Back Wall.

Installation: Recessed or Surface Mount.

Codes / Standards Applicable

Electric Option Models are ETL certified to:

UL 962

CSA Standard C22.2 No.68

Dimensions

Height: 30" (762 mm)

Width: 30" (762 mm)

Depth When surface mounted: 5" (127 mm)

Depth When recessed: 1" (25mm)

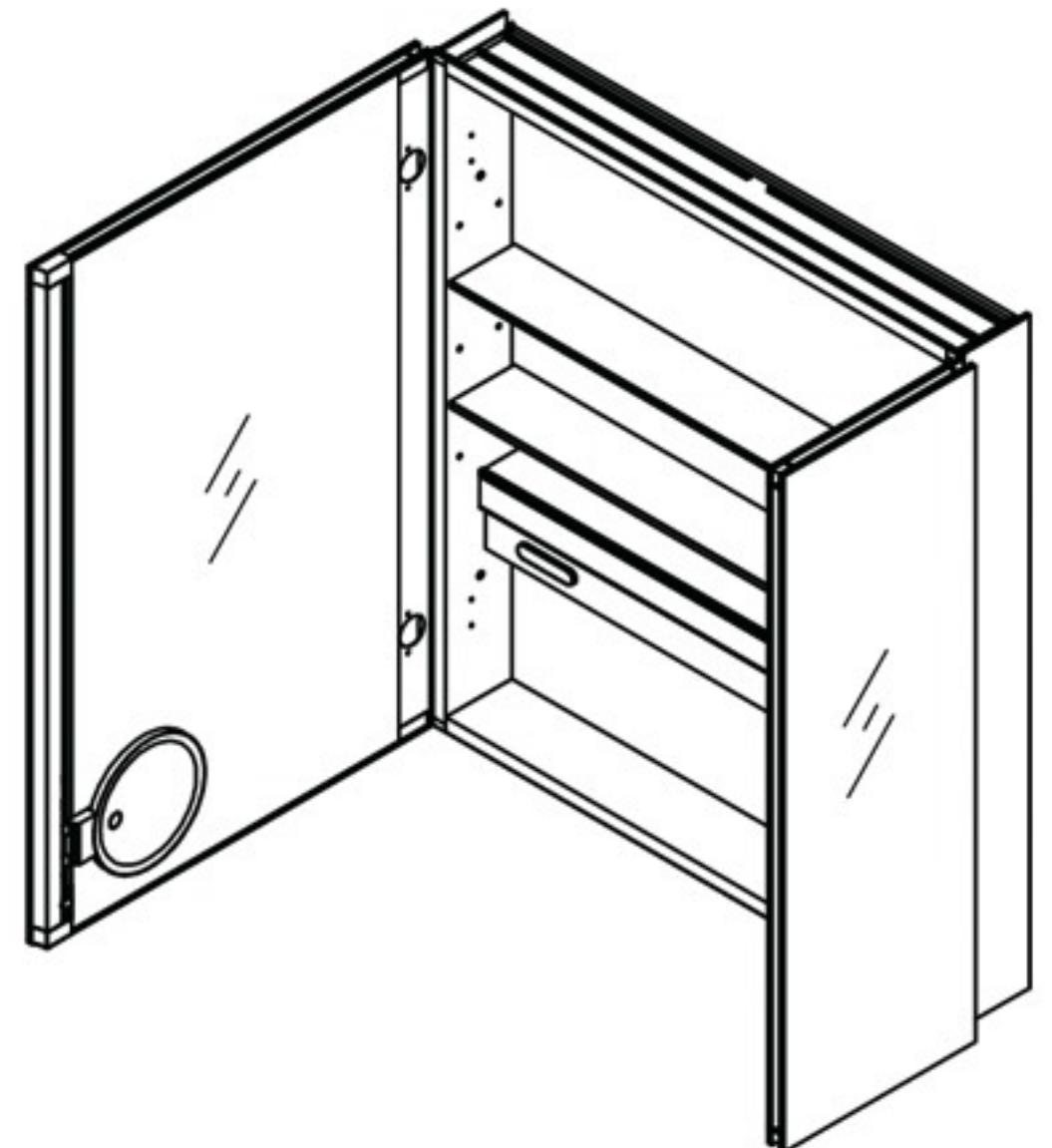
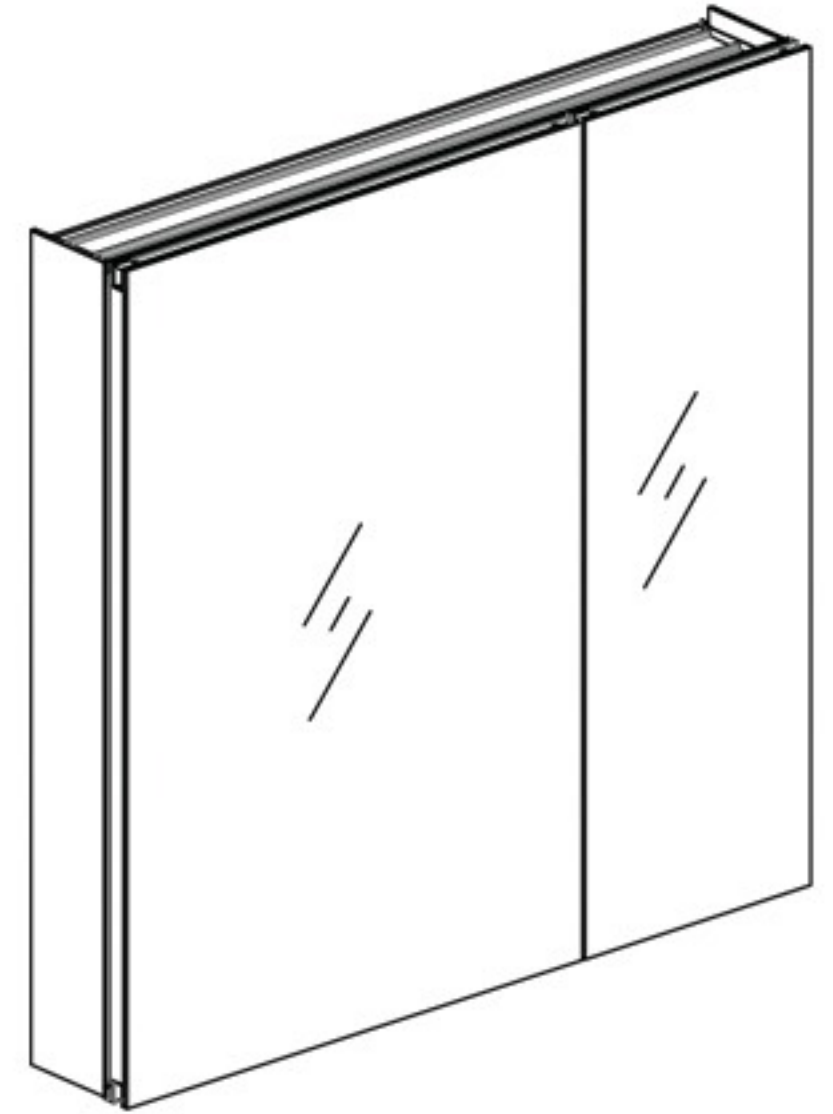
30" W x 30" H x 5" D

Installation Options

Recessed Mount: Rough Opening

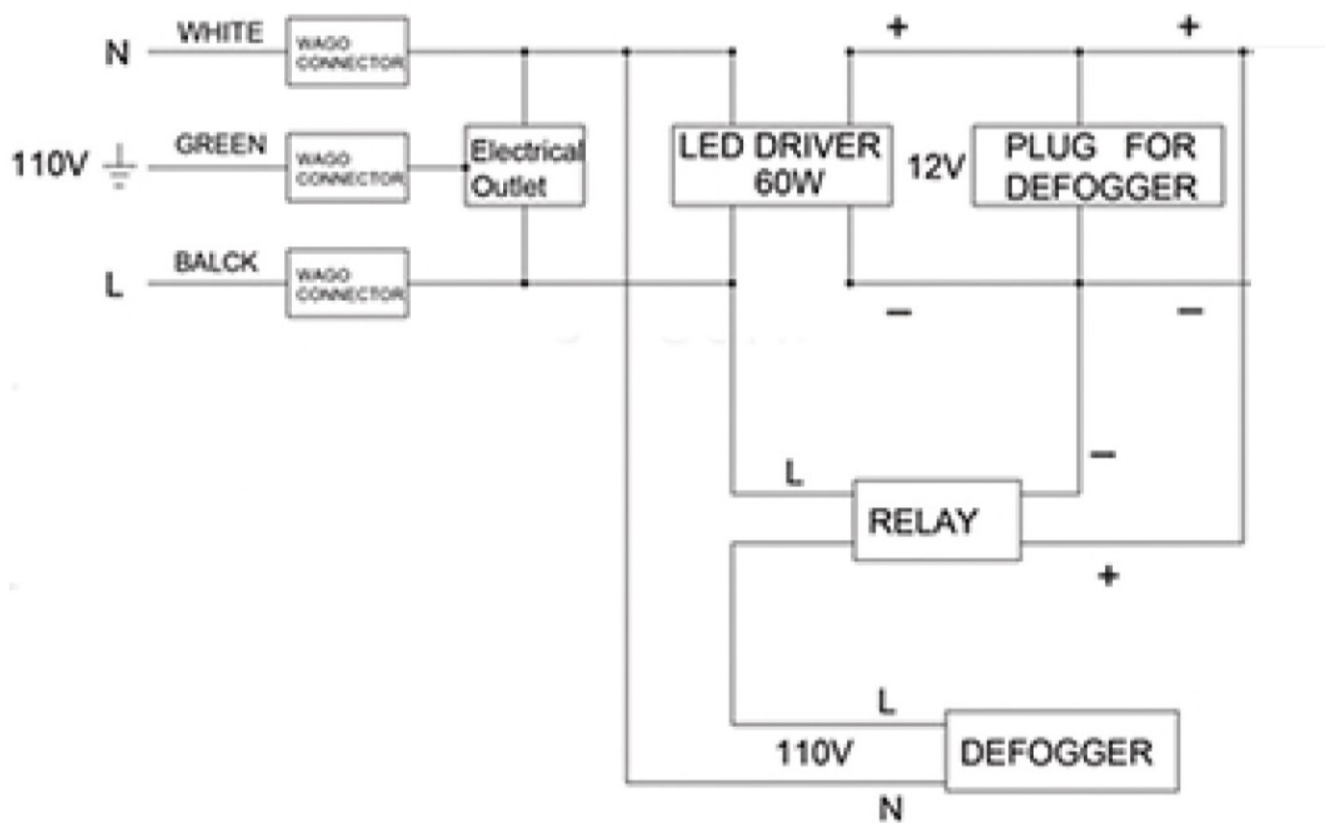
29-1/2" W x 29-1/2" H x 4" D

Surface Mount: Surface Mount Kit is included

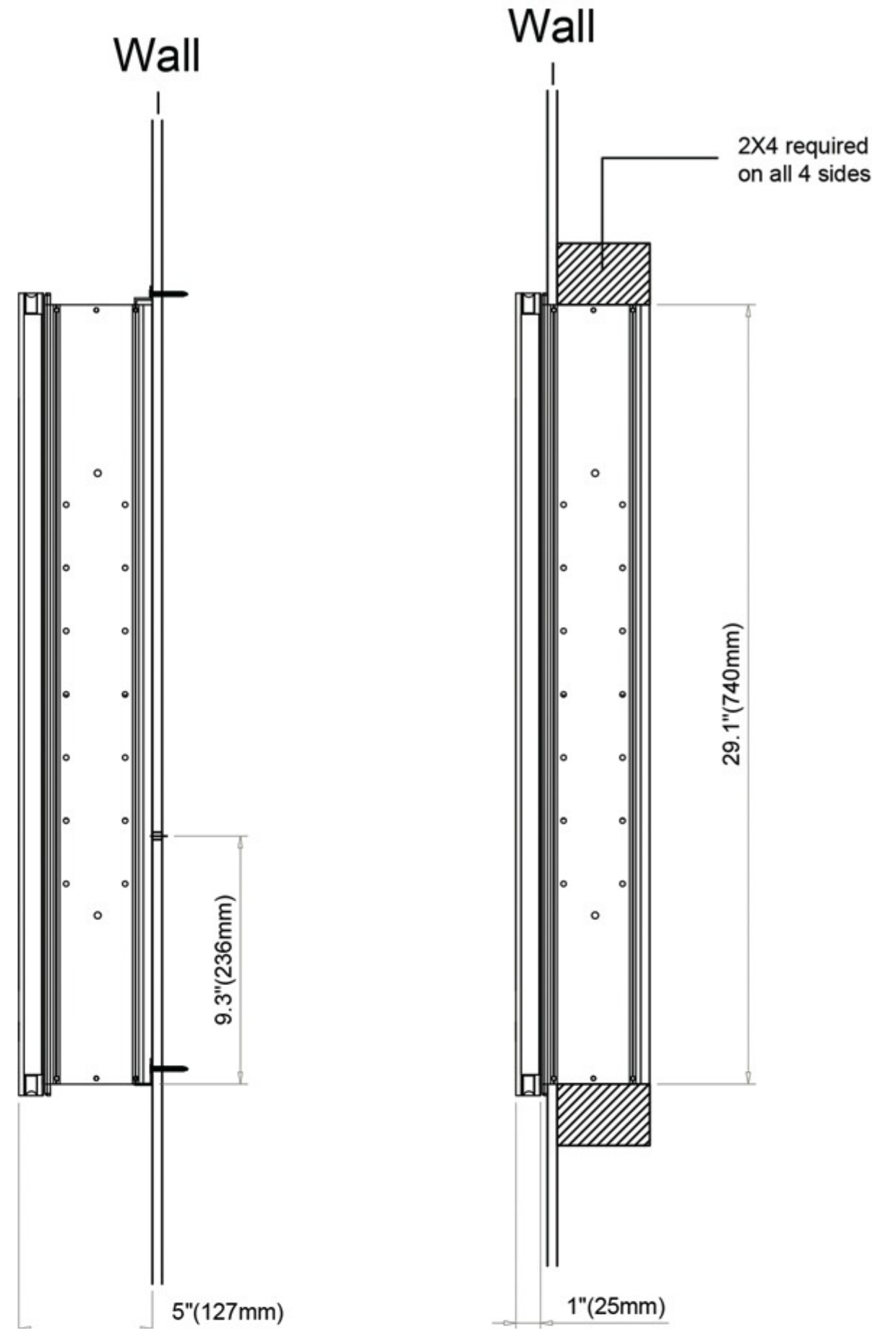


Electrical System

- INPUT : 110VAC
- OUTPUT : 110VAC
- Field wire location as shown in drawing
- 1/2" conduit (Ø 7/8" actual) electrical knockout location shown below
- Included field wire cable clamp
- Circuit Diagram

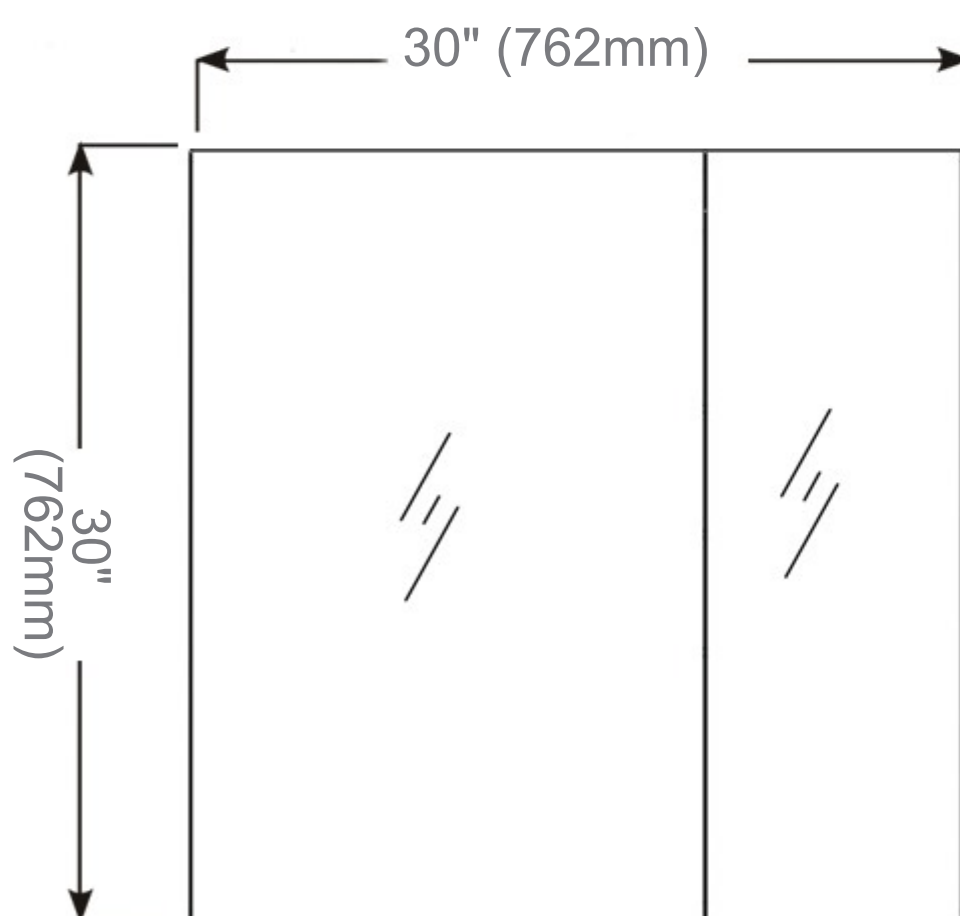


Circuit Diagram

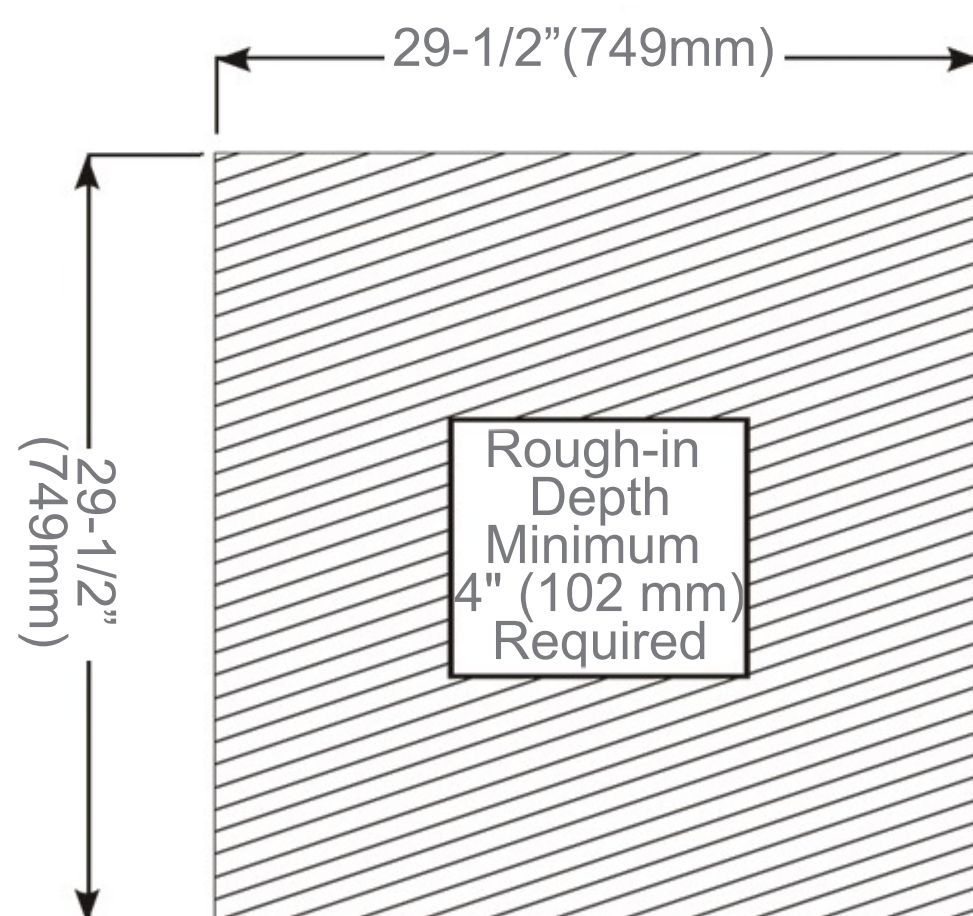


Surface Mount

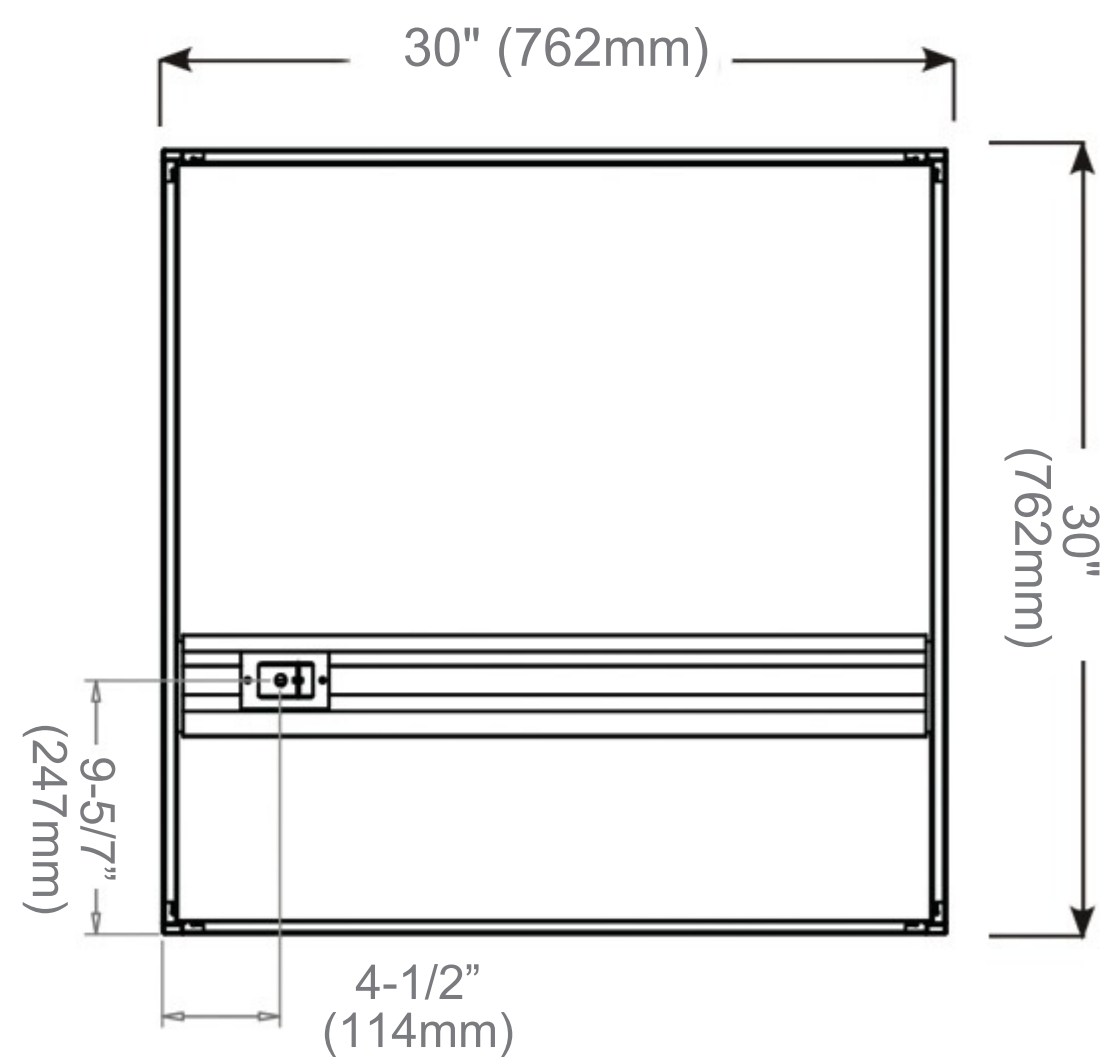
Recessed Mount



Cabinet Dimensions



Rough-in Dimensions



Back of Cabinet - Wire Access Location