

## Features

**Defogger:** have your mirror fog free with a touch of a button. Dedicated defogger button is located along the frame on the inside of the cabinet.

**3X LED Lighted Magnifying Mirror:** A built-in, removable, LED-lighted magnifying mirror on the inside of the door, is vertically adjustable flip-out flat to accommodate users of varying heights.

**Dimmer:** Dim the light of your choice by holding down the on button.  
**Digital Clock:** modern and convenient feature.

**Electrical Outlets:** Dual electrical outlets with USB are located inside the cabinet.

**Light Control:** Cycle through the color temperature light with a tap of a dedicated button, 3 Color temperature lights. Warm, Cool, and Neutral.

**Inside Lighting:** the light sensor switches the interior light automatically.

Kelvin	6500
CRI	80+
Lumens*†	1620
R9 Value*	50+
Watts (AC)	60
Lumens per Watt	90

## Construction

**BLUM Soft Close Hinges:** Soft Close hinges allow for a smooth and secure 155-degree opening.

**Glass Shelves:** 8mm clear adjustable glass shelves are included for you to arrange them according to your needs.

**Mirror:** Quality polished edge 5mm silver mirrored glass is used for the best front-surface reflexivity in the visible spectrum.

**Interior:** Double Sided Mirrored Doors and Back Wall.

**Installation:** Recessed or Surface Mount.

## Codes/Standards Applicable

**Electric Option Models are ETL certified to:**

UL 962

CSA Standard C22.2 No.68

## Dimensions

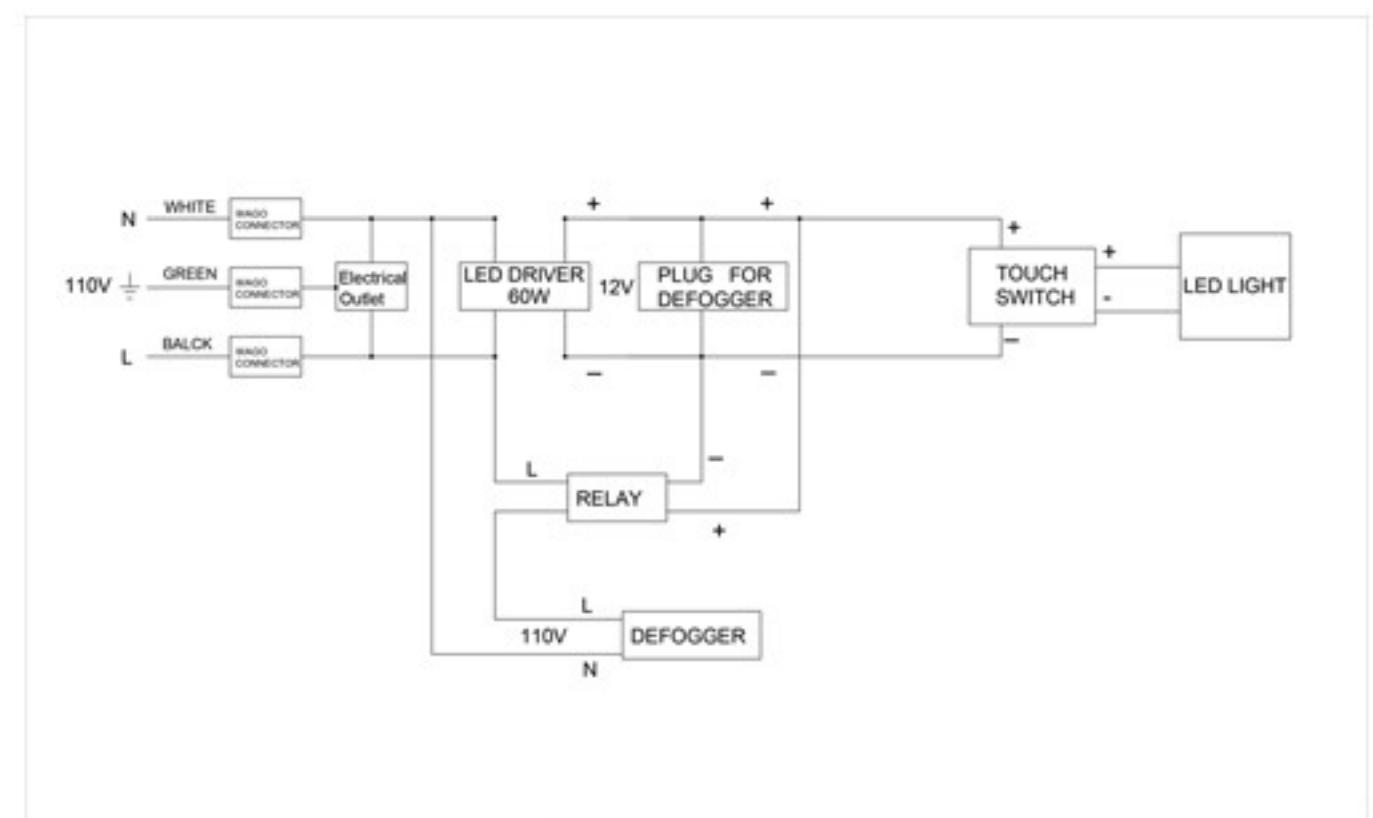
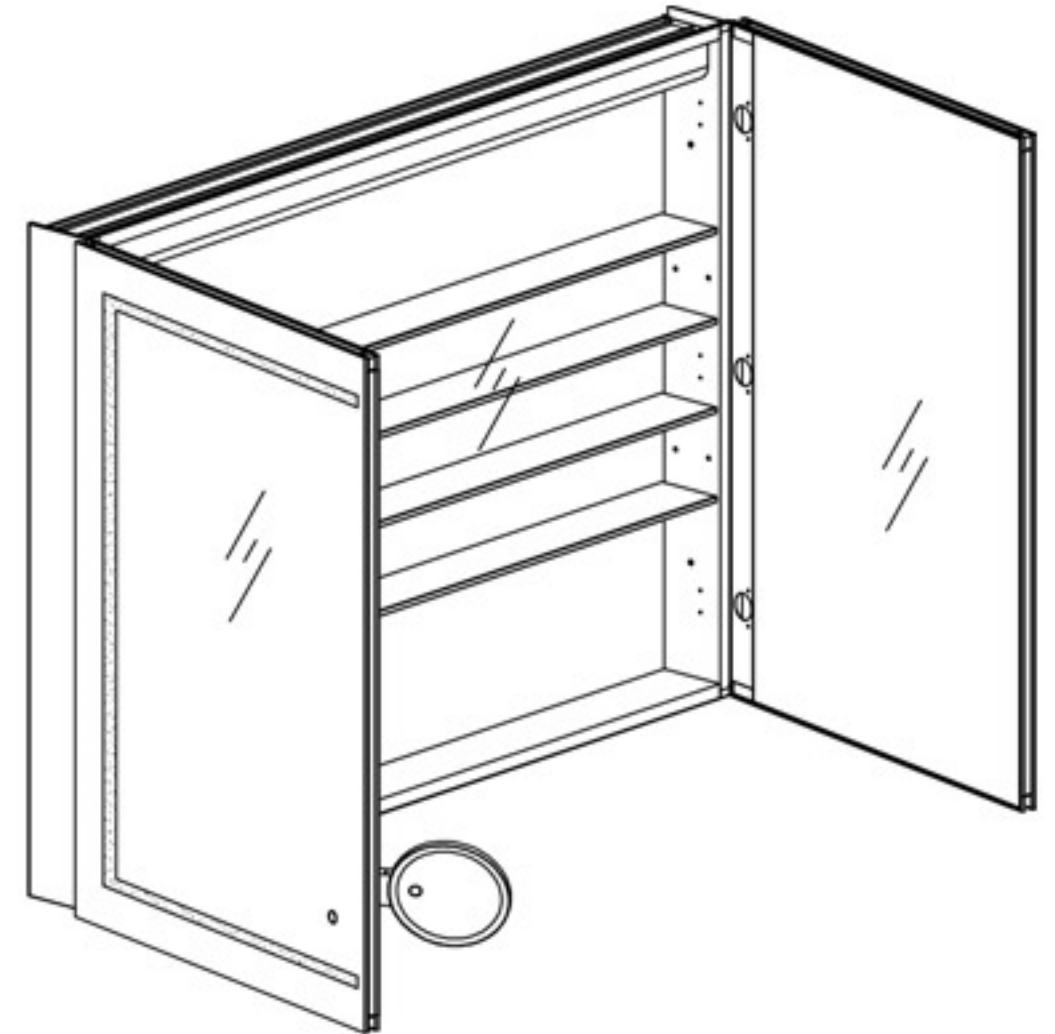
**Height:** 36" (913 mm)

**Width:** 48" (1223 mm)

**Depth When surface mounted:** 5" (127 mm)

**Depth When recessed:** 1" (25mm)

48" W x 36" H x 5" D



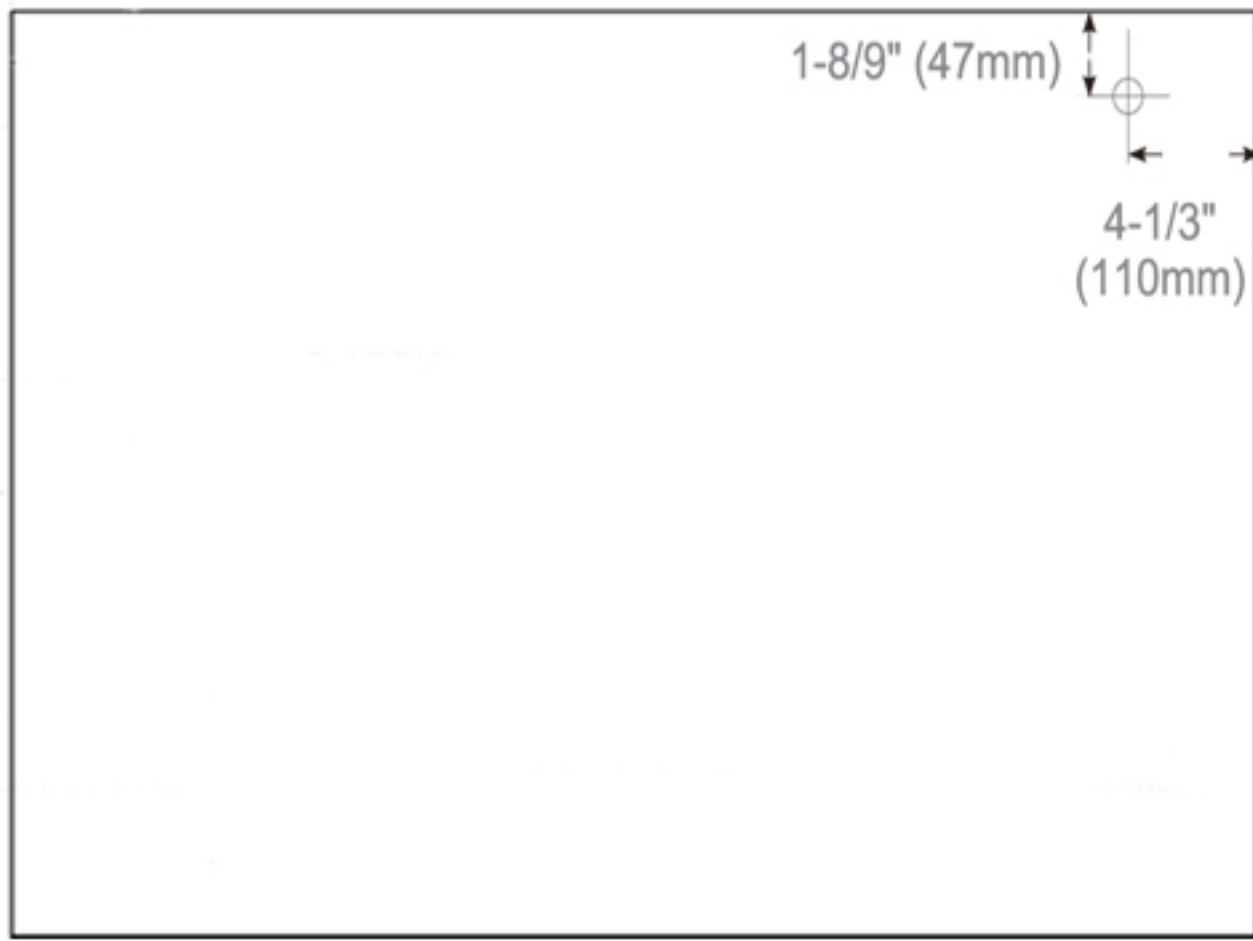
Circuit Diagram

## Installation Options

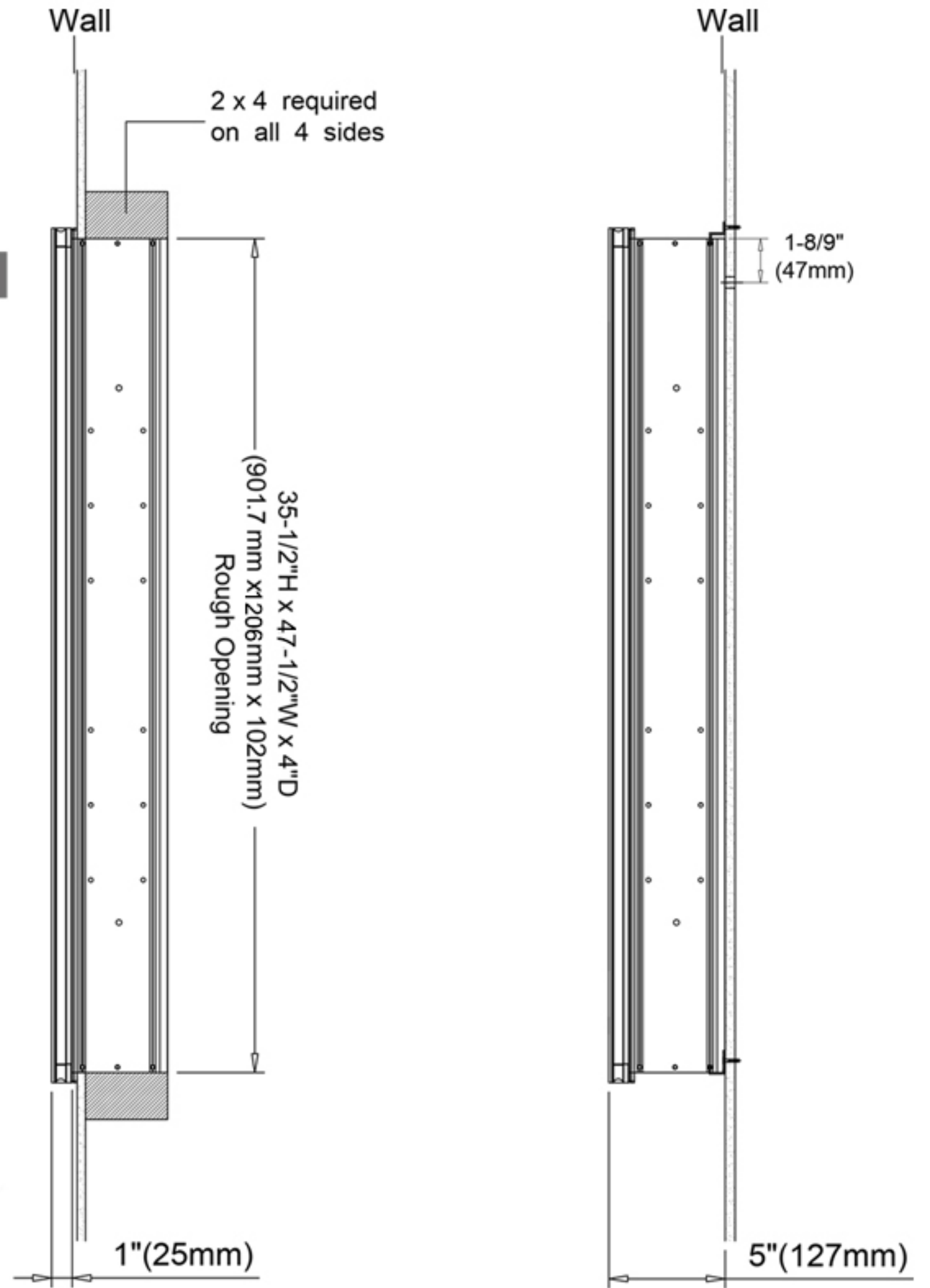
- Recessed Mount - Rough Opening - 35-1/2" H x 47-1/2" W x 4" D (901.7mm H x 1210mm W x 102mm D)
- Surface Mount - Surface Mount Kit is included

## Electrical System

- 60Watts LED Driver
- INPUT : 120 VAC 60HZ 1.2A
- OUTPUT : 12 VAC 5.0A
- Field wire location as shown in drawing
- 1/2" conduit (Ø 7/8" actual) electrical knockout location shown below
- Included field wire cable clamp
- Circuit Diagram ( On page 1 )

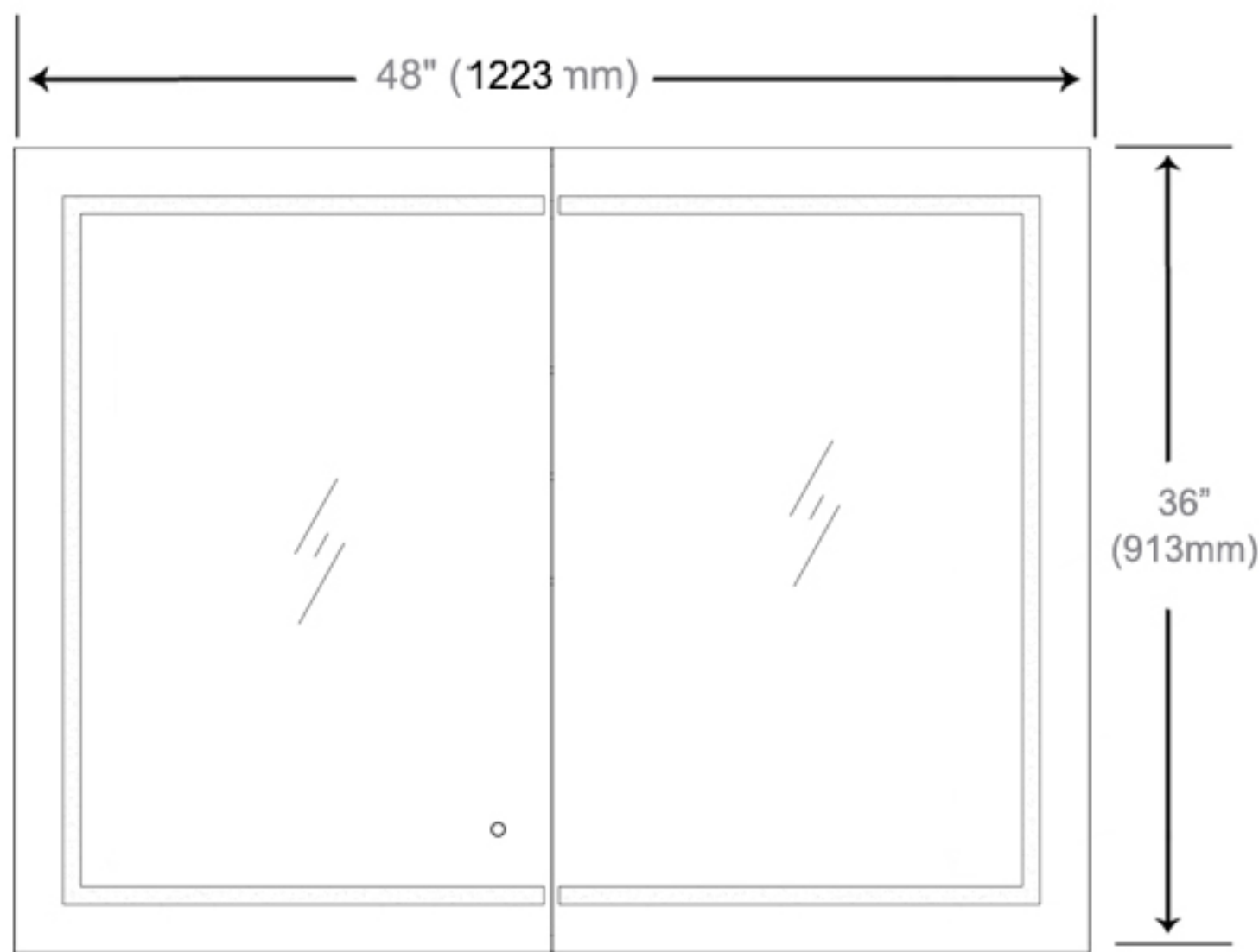


Back of Cabinet - Wire Access Location

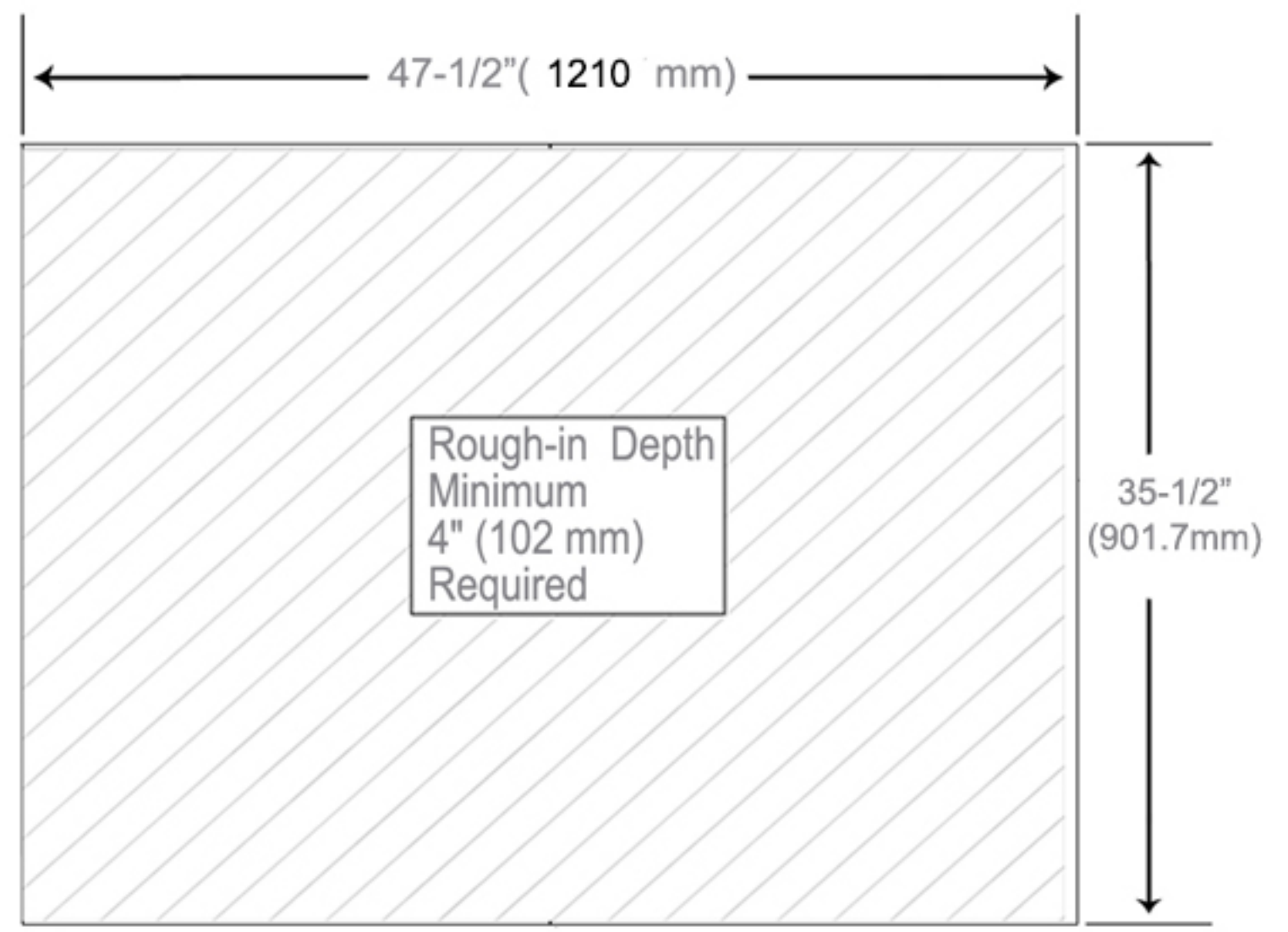


Recessed Mount

Surface Mount



Cabinet Dimensions



Rough-in Dimensions