

Features

Energy-efficient LED illumination with dimmable control

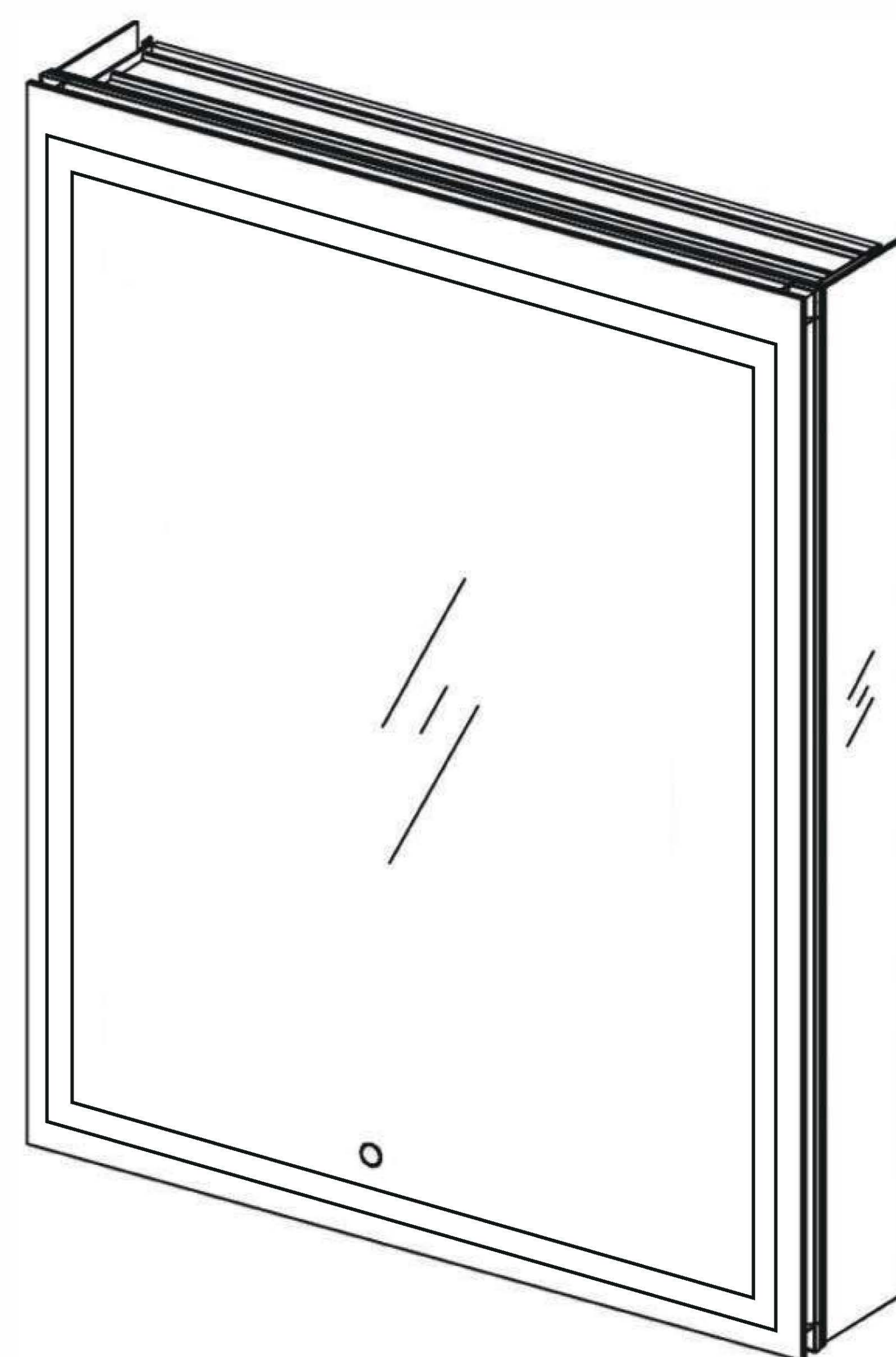
Soft-close TDC hinges for smooth door operation and long-term durability

Fully mirrored interior and doors

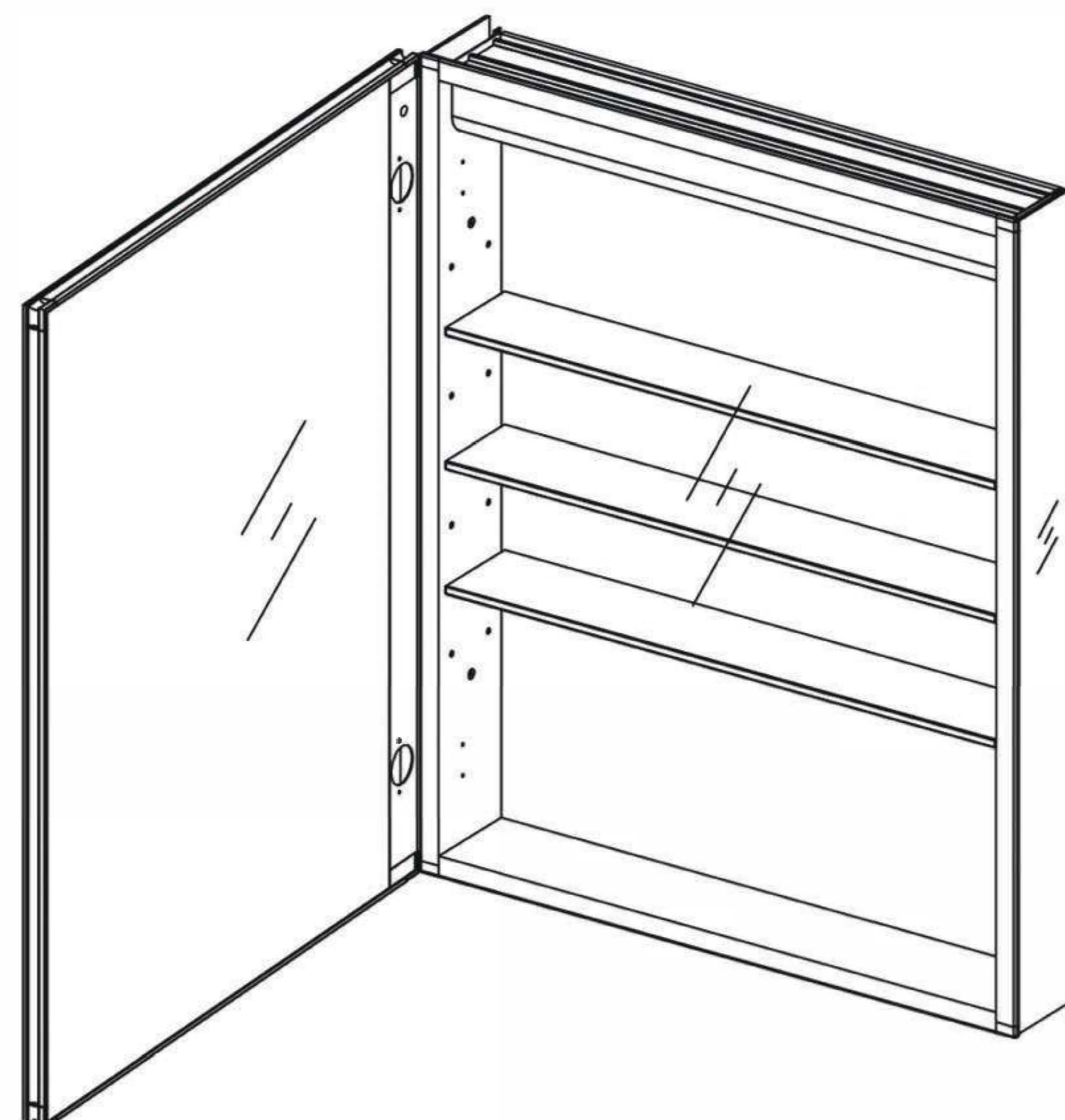
Adjustable Starphire glass shelves

Mounts recessed or surface-mounted

Light Control: Cycle through the color temperature light with a tap of a dedicated button, 3 Color temperature lights. Warm, Cool, and Neutral.



Kelvin	6500
CRI	80+
Lumens*†	810
R9 Value*	50+
Watts (AC)	35
Lumens per Watt	90



Codes/Standards Applicable

Electric Option Models are ETL certified to:

- UL 962
- CSA Standard C22.2 No. 68

Dimensions

Height: 30" (762 mm)

Width: 24" (610 mm)

Depth: 5" (127 mm) When surface mounted

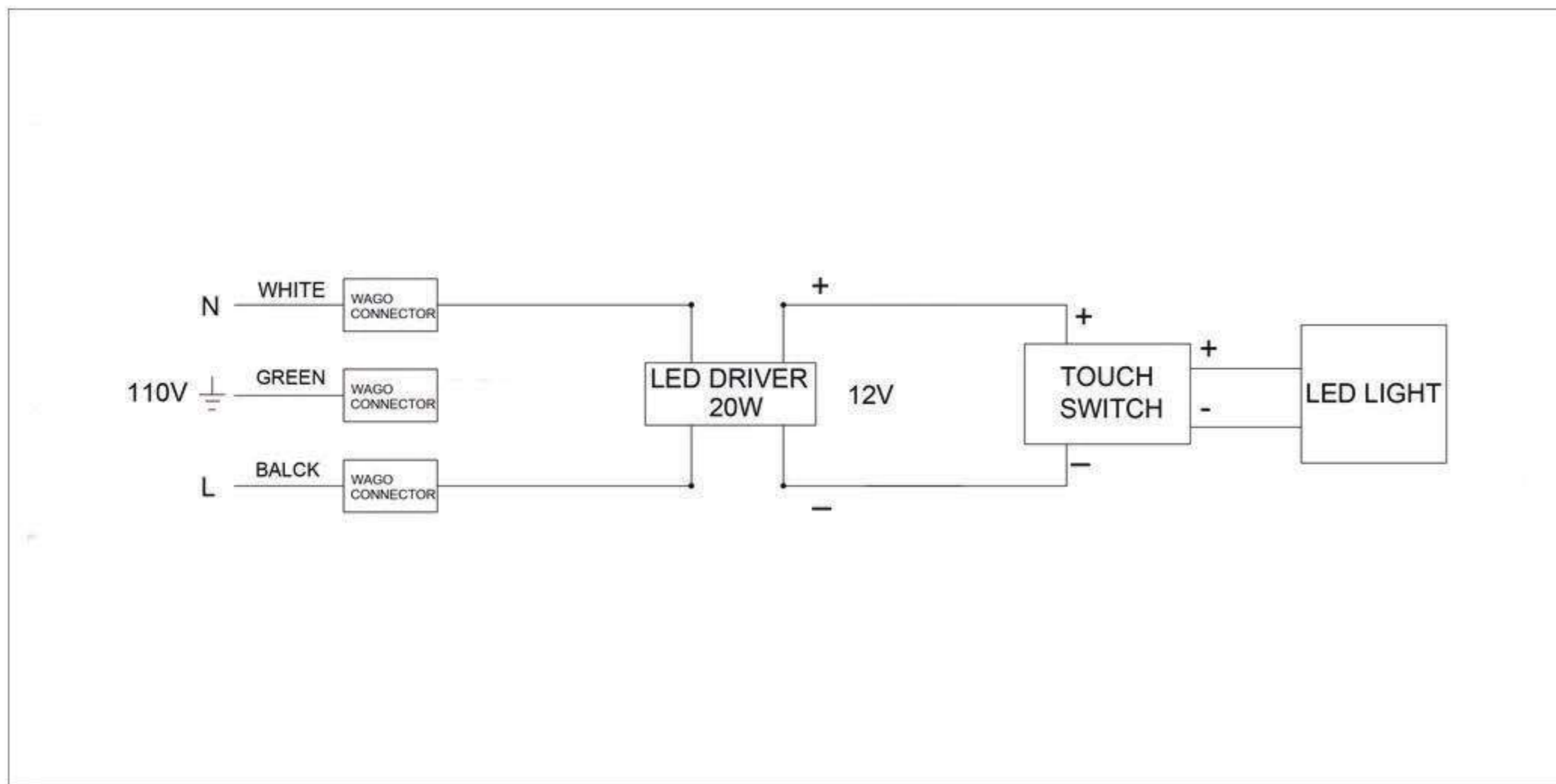
1" (25 mm) When recessed

Installation Options

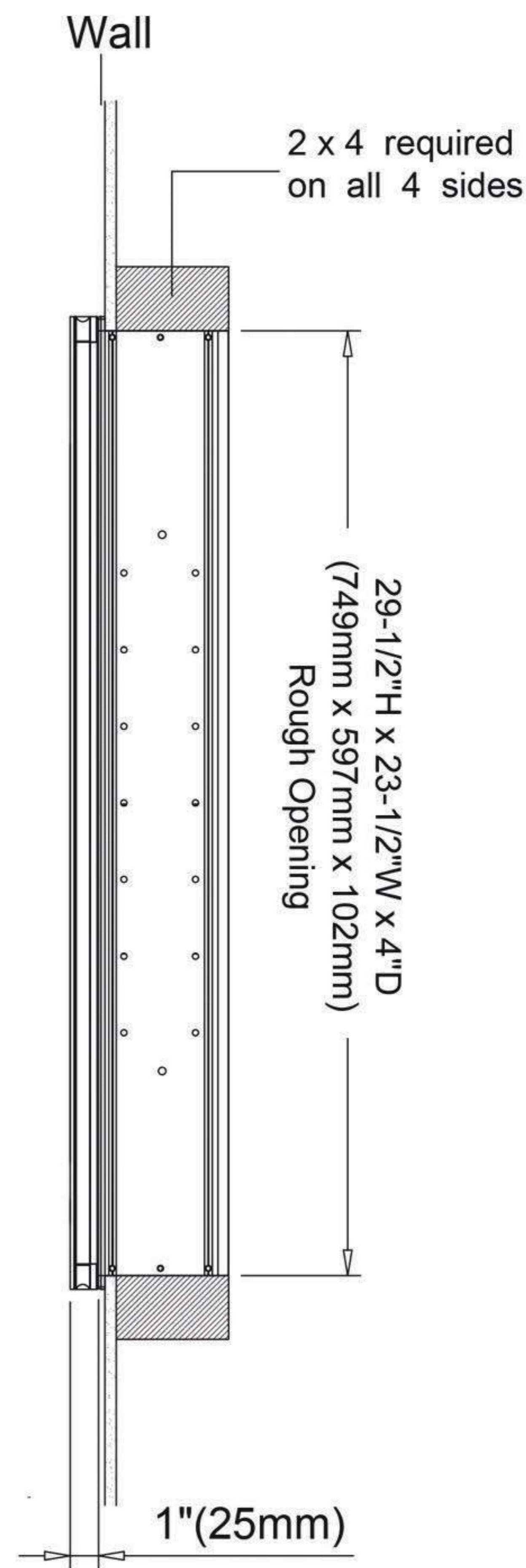
- Recessed Mount - Rough Opening - 29-1/2" H x 23-1/2" W x 4" D
(749mm H x 597mm W x 102mm D)
- Surface Mount - Surface Mount Kit is included

Electrical System

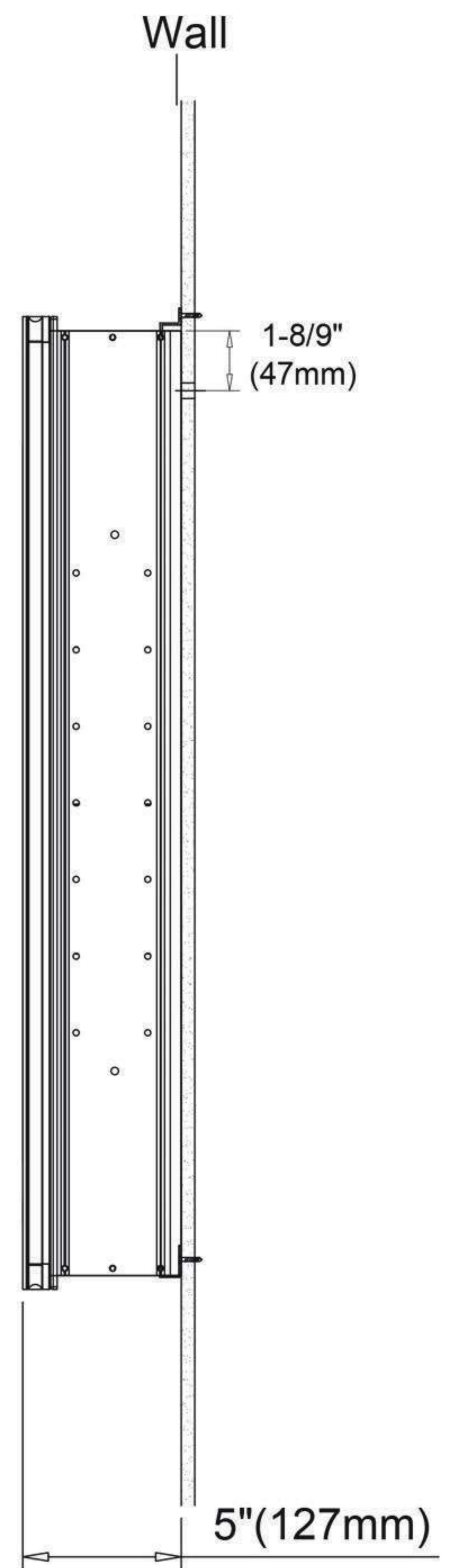
- 35 Watts LED Driver
- INPUT : 120VAC 60HZ 1.1A
- OUTPUT : 12VAC 3.0A
- Field wire location as shown in drawing
- 1/2" conduit (Ø 7/8" actual) electrical knockout location shown below
- Included field wire cable clamp
- Circuit Diagram



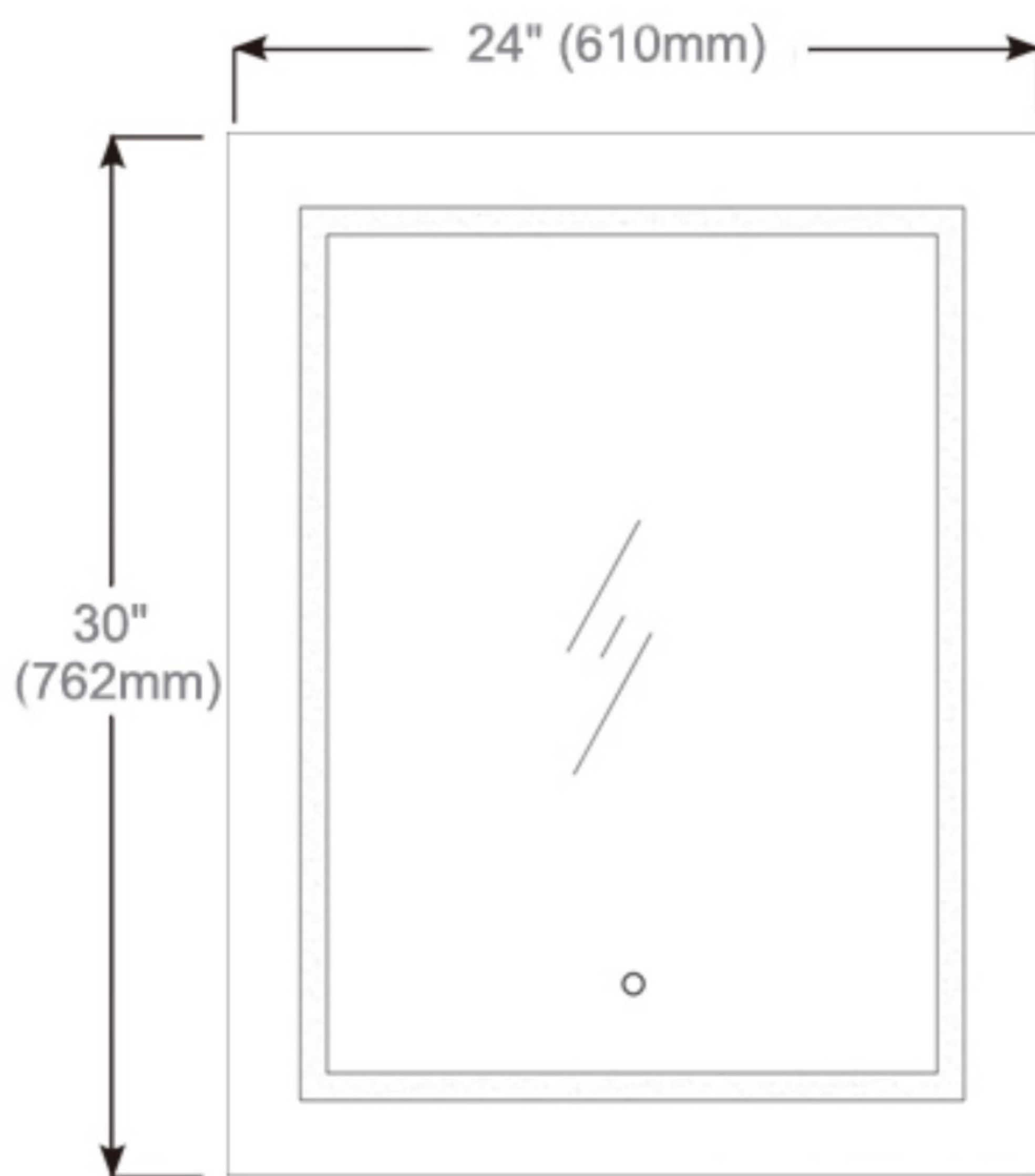
Circuit Diagram



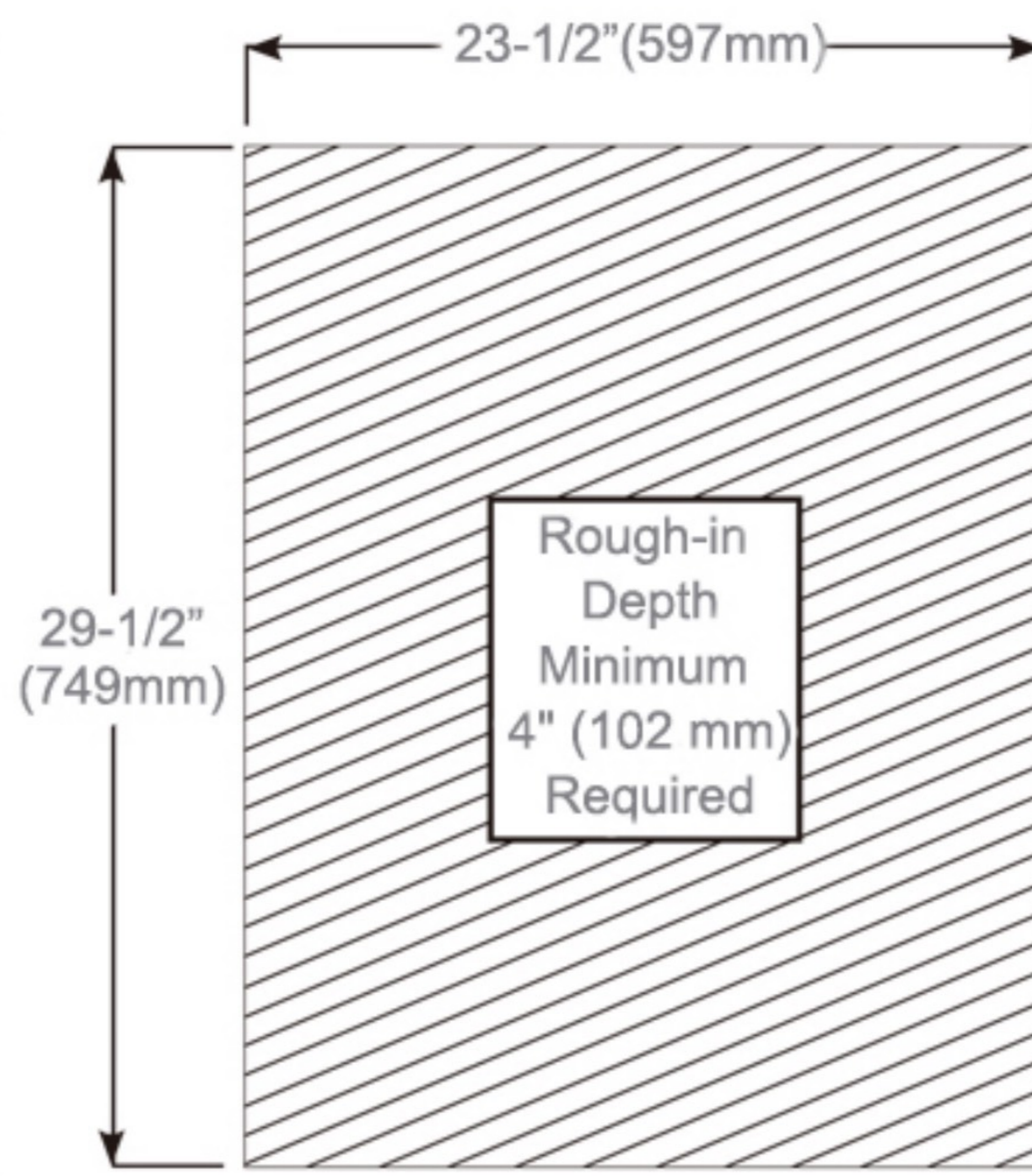
Recessed Mount



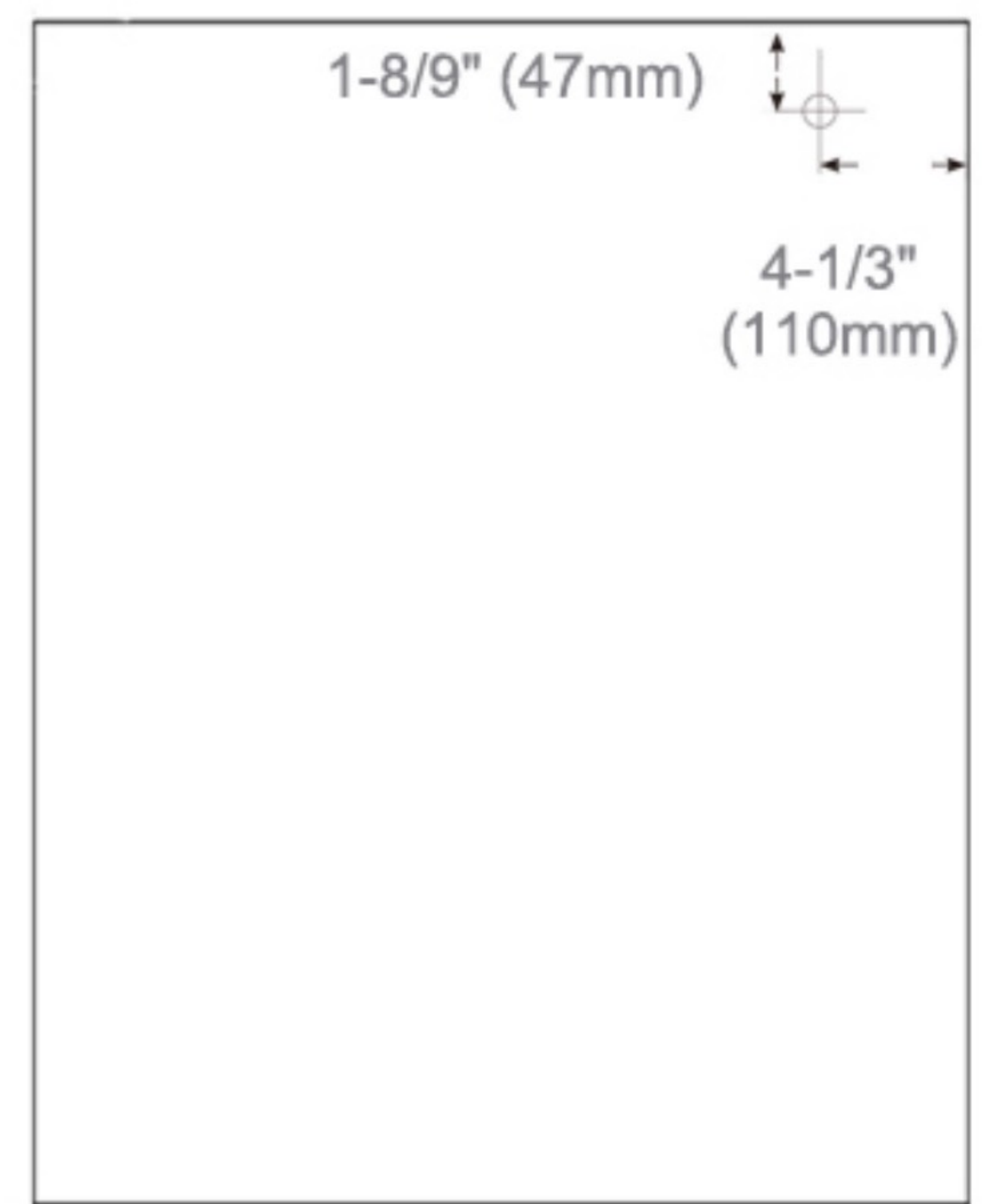
Surface Mount



Cabinet Dimensions



Rough-in Dimensions



Back of Cabinet - Wire Access Location