

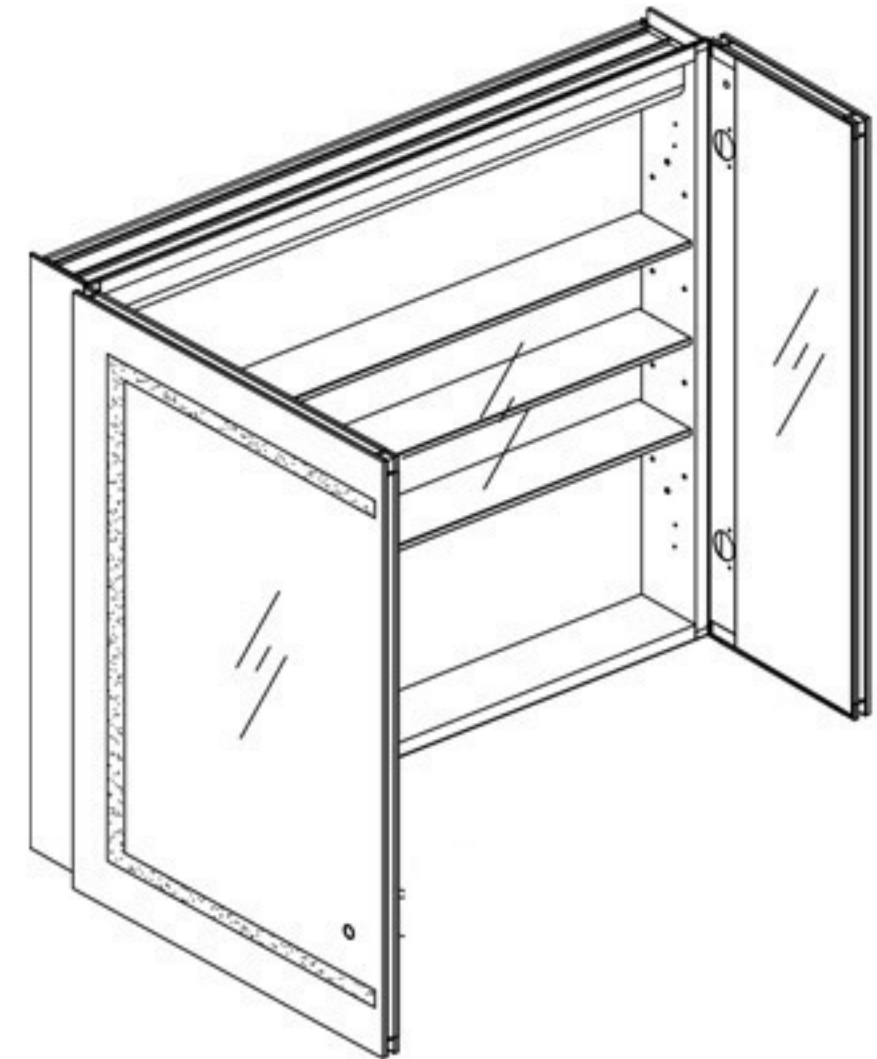
RBQ-3030 Specifications

Features

- Energy-efficient LED illumination with dimmable control
- Soft-close TDC hinges for smooth door operation and long-term durability
- Fully mirrored interior and doors
- Adjustable Starphire glass shelves
- Mounts recessed or surface-mounted
- Light Control: Cycle through the color temperature light with a tap of a dedicated button, 3 Color temperature lights. Warm, Cool, and Neutral.



Kelvin	6500
CRI	80+
Lumens*†	810
R9 Value*	50+
Watts (AC)	35
Lumens per Watt	90



Codes/Standards Applicable

Electric Option Models are ETL certified to:

UL 962

CSA Standard C22.2 No.68

Dimensions

Height: 30" (762 mm)

Width: 30" (762 mm)

Depth When surface mounted: 5" (127 mm)

Depth When recessed: 1" (25mm)

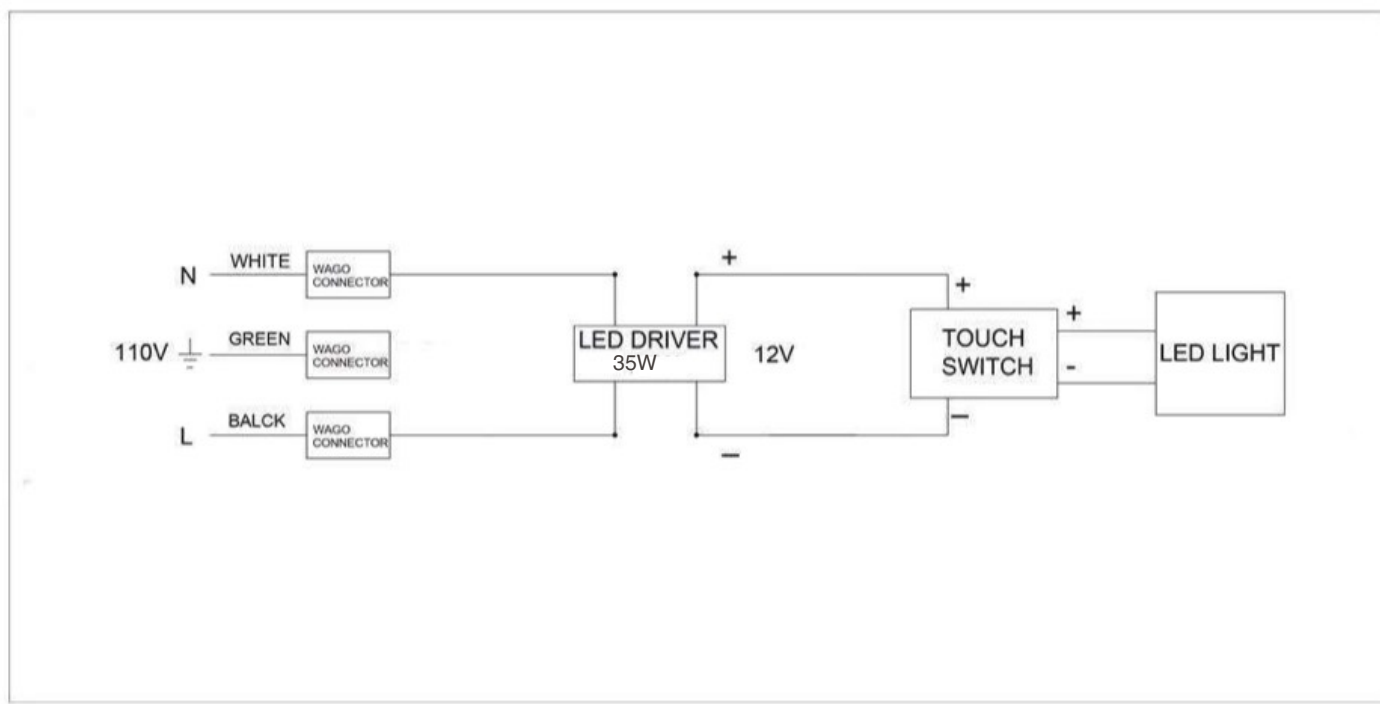
30" W x 30" H x 5" D

Installation Options

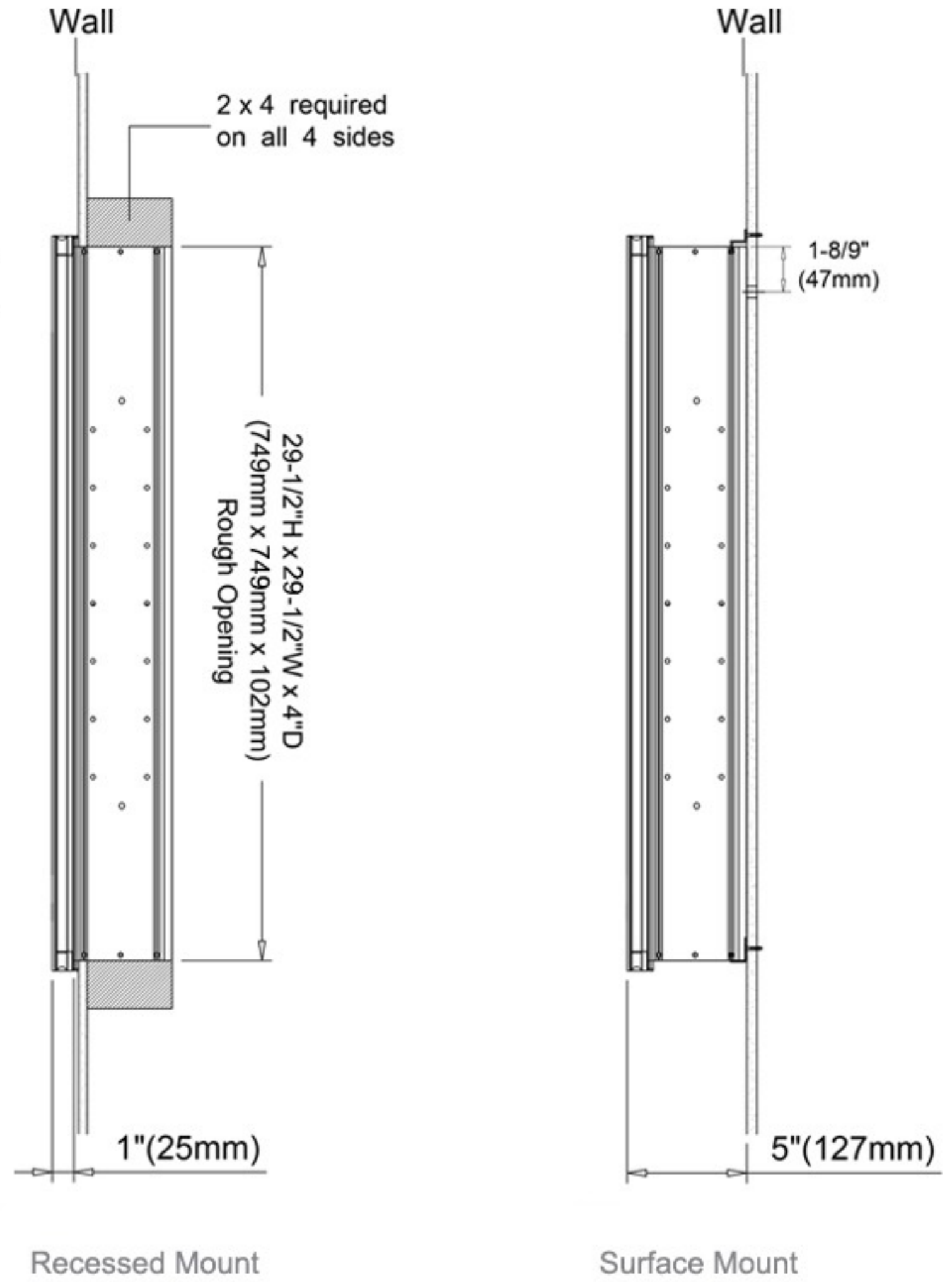
- Recessed Mount - Rough Opening - 29-1/2" H x 29-1/2" W x 4" D (749mm H x 749mm W x 102mm D)
- Surface Mount - Surface Mount Kit is included

Electrical System

- 35 Watts LED Driver
- INPUT : 120VAC 60HZ 1.2A
- OUTPUT : 12VAC 5.0A
- Field wire location as shown in drawing
- 1/2" conduit (Ø 7/8" actual) electrical knockout location shown below
- Included field wire cable clamp
- Circuit Diagram

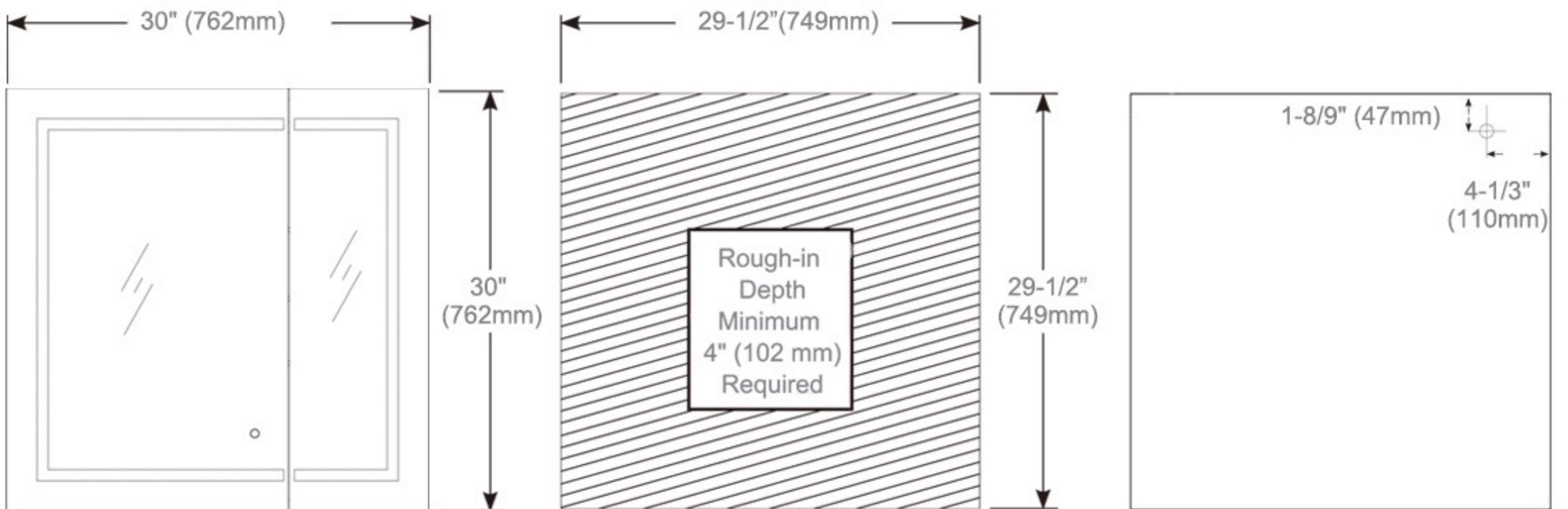


Circuit Diagram



Recessed Mount

Surface Mount



Cabinet Dimensions

Rough-in Dimensions

Back of Cabinet - Wire Access Location